



DANH SÁCH PHỤ TÙNG

PART CATALOGUE

MODEL : SWT15D1VN-AS (VW6)
SWT15D2VN-AS (VW7)

SPD申請單位			
Người Lập 承辦	Kiểm Tra 審核	Xác Nhận 確認	Xét Duyệt 承認
 17. Jul. 23	 17 Jul 23		

Ver. 01

Date: 17.Jul.2023

NO	Model	SWT15D1VN-AS (VW6)			
	Date		Jul-23	Jul-23	Jul-23
	Basic Color		VW6 - WIS	VW6- RIS	VW6 - IXK
	Color Code	0210Z-VW6-0000	WH-057P / S-352UL	R-417 / S-352UL	GY-218 / BK-502C
	Parts Name	Parts Number	WHITE/ SILVER	RED/ SILVER	GRAY / BLACK
1	METER GARNISH	53204-VW3-000	WH-057P	R-417	GY-218
2	FR. HANDLE COVER	53205-VW3-000	WH-057P	R-417	GY-218
3	RR. HANDLE COVER	53206-VW3-000	WH-057P	R-417	GY-218
4	FR. HANDLE COVER GARNISH	53207-VW3-000	S-352UL	S-352UL	BK-502C
5	FR. COVER	64301-VW3-000	WH-057P	R-417	GY-218
6	FR. TOP COVER	64302-VW3-000	WH-057P	R-417	GY-218
7	FR. COVER GARNISH	64303-VW3-000	BK-001U	BK-001U	BK-001U
8	FR. TOP COVER GARNISH	64304-VW3-000	S-352UL	S-352UL	BK-502C
9	R. FR. COVER GARNISH	64305-VW3-000	S-352UL	S-352UL	BK-502C
10	L. FR. COVER GARNISH	64306-VW3-000	S-352UL	S-352UL	BK-502C
11	FR. FENDER	61100-VW3-000	WH-057P	R-417	GY-218
12	FR. INNER FENDER A	61101-VW3-000	BK-001U	BK-001U	BK-001U
13	FR. INNER FENDER B	61102-VW3-000	BK-001U	BK-001U	BK-001U
14	FLOOR PANEL	64310-VW3-000	BK-001U	BK-001U	BK-001U
15	R. FLOOR PANEL GARNISH	64315-VW3-000	S-352UL	S-352UL	BK-502C
16	L. FLOOR PANEL GARNISH	64316-VW3-000	S-352UL	S-352UL	BK-502C
17	FRAME NUMBER LID	64318-VW3-000	WH-057P	R-417	GY-218
18	R. FLOOR MAT	64321-VW3-000	BK-001U	BK-001U	BK-001U
19	L. FLOOR MAT	64322-VW3-000	BK-001U	BK-001U	BK-001U
20	FR. INNER COVER	81131-VW3-000	WH-057P	R-417	GY-218
21	LUGGAGE HOOK	81132-XFA-000	BK-001U	BK-001U	BK-001U
22	FUEL COVER	81135-VW3-000	WH-057P	R-417	GY-218
23	FUEL COVER TRAY	81141-VW3-000	BK-001U	BK-001U	BK-001U
24	USB CASE	53203-VW3-000	BK-001U	BK-001U	BK-001U
25	UNDER COVER	50613-VW3-000	BK-001U	BK-001U	BK-001U
26	DOUBLE SEAT COMP.	77200-VW3-000	T1 (BLUE)	T1 (BLUE)	T2 (BLACK)
27	LUGGAGE BOX	81250-VW3-000	BK-001U	BK-001U	BK-001U
28	RR. FENDER	80100-VW3-000	BK-001U	BK-001U	BK-001U
29	RR. INNER FENDER	80101-VW3-000	BK-001U	BK-001U	BK-001U
30	RR. MUDGUARD	80105-VW3-000	BK-001U	BK-001U	BK-001U
31	CENTER COVER	80151-VW3-000	WH-057P	R-417	GY-218
32	R. CENTER COVER	80152-VW3-000	S-352UL	S-352UL	BK-502C
33	L. CENTER COVER	80153-VW3-000	S-352UL	S-352UL	BK-502C
34	RH. SIDE COVER	83520-VW3-000	WH-057P	R-417	GY-218
35	LH. SIDE COVER	83620-VW3-000	WH-057P	R-417	GY-218
36	RH. STEP GARNISH	83850-VW3-000	BK-001U	BK-001U	BK-001U
37	LH. STEP GARNISH	83855-VW3-000	BK-001U	BK-001U	BK-001U
38	R.STEP BAR	50715-X91-000	Aluminum	Aluminum	Aluminum
39	L. STEP BAR	50718-X91-000	Aluminum	Aluminum	Aluminum
40	R BODY COVER	83500-VW3-000	WH-057P	R-417	GY-218
41	L BODY COVER	83600-VW3-000	WH-057P	R-417	GY-218
42	L. BODY COVER GARNISH	83601-VW3-000	WH-057P	R-417	GY-218
43	R. BACK MIRROR ASSY	88110-VCA-900	BK-001U	BK-001U	BK-001U
44	L. BACK MIRROR ASSY	88120-VCA-900	BK-001U	BK-001U	BK-001U
45	R FR. CUSHION ASSY	51400-VW3-000	BK-001C	BK-001C	BK-001C
46	L FR. CUSHION ASSY	51500-VW3-000	BK-001C	BK-001C	BK-001C
47	RR. CUSHION ASSY	52400-VW3-000	BK-001C	BK-001C	BK-001C
48	RR. FORK	52100-XVA-000	S-423	S-423	S-423
49	FR. CAST WHEEL	44601-XVA-000	BK-001C	BK-001C	BK-001C
50	RR. WHEEL CAST	42601-XVA-000	BK-001C	BK-001C	BK-001C
51	RR. WHEEL HUB.	42602-XJA-000	BK-001C	BK-001C	BK-001C
52	SPDMT. GEAR BOX ASSY	44800-ALA-000	BK-001C	BK-001C	BK-001C
53	FR. CALIPER ASSY	45100-ZEA-000	BK-001C	BK-001C	BK-001C
54	RR. CALIPER ASSY	43100-XJA-910	BK-001C	BK-001C	BK-001C

Color Remarks		
KW	BK-502C	BLACK
TF	R-417	RED
WM	WH-057P	WHITE
SW	S-352UL	SILVER
KUS	BK-001U / S-352UL	BLACK / SILVER
KUK	BK-001U / BK-502C	BLACK / BLACK
SE	S-423	SILVER
	BK-001C	BLACK
	BK-001U	BLACK
GX	GY-218	GRAY
DM	BU-594S	BLUE
●		-

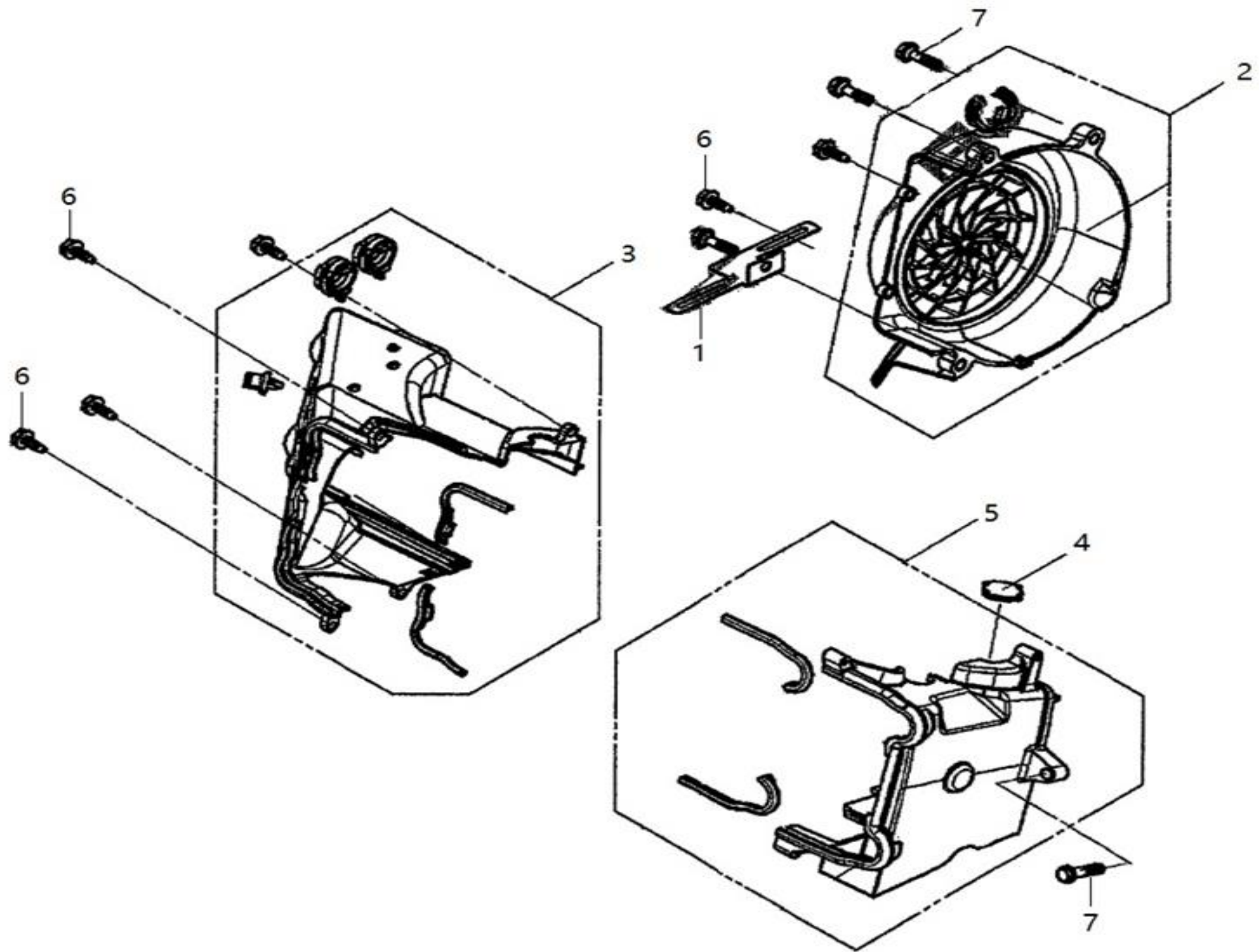
NO	Model	SWT15D1VN-AS (VW6)			
	Date		Jul-23	Jul-23	Jul-23
	Basic Color		VW6 - WIS	VW6- RIS	VW6 - IXK
	Color Code	0210Z-VW6-0000	WH-057P / S-352UL	R-417 / S-352UL	GY-218 / BK-502C
	Parts Name	Parts Number	WHITE/ SILVER	RED/ SILVER	GRAY / BLACK
55	FR BRK DISK (Ø226mm)	45121-XJE-000	BK-001C	BK-001C	BK-001C
56	RR. BRAKE DISK	43121-XJA-000	BK-001C	BK-001C	BK-001C
57	BATTERY COVER	50326-F6B-000	BK-001U	BK-001U	BK-001U
58	RR. CARRIER	81200-VW3-010	Chromium	Chromium	
59	RR. CARRIER	81200-VW3-910			BK-502C / S
60	RR. CARRIER GARNISH	81201-VW3-010	Chromium	Chromium	
61	RR. CARRIER GARNISH	81201-VW3-910			BK-502C
62	RR CENTER COVER	83750-VW3-000	WH-057P	R-417	GY-218
63	L. CRANK CASE COVER	11341-XVA-000	Black	Black	Black
64	EXH. MUFFLER COMP.	18300-VW3-000	Black	Black	Black
65	MUFF. PROTECTOR	18318-VW3-000	BK-001U / S-352UL	BK-001U / S-352UL	BK-001U / BK-502C

Color Remarks

E01

TUSCANY 150 - SWT15D1VN-AS (VW6)

FAN COVER ASSY - SHROUD A ASSY.



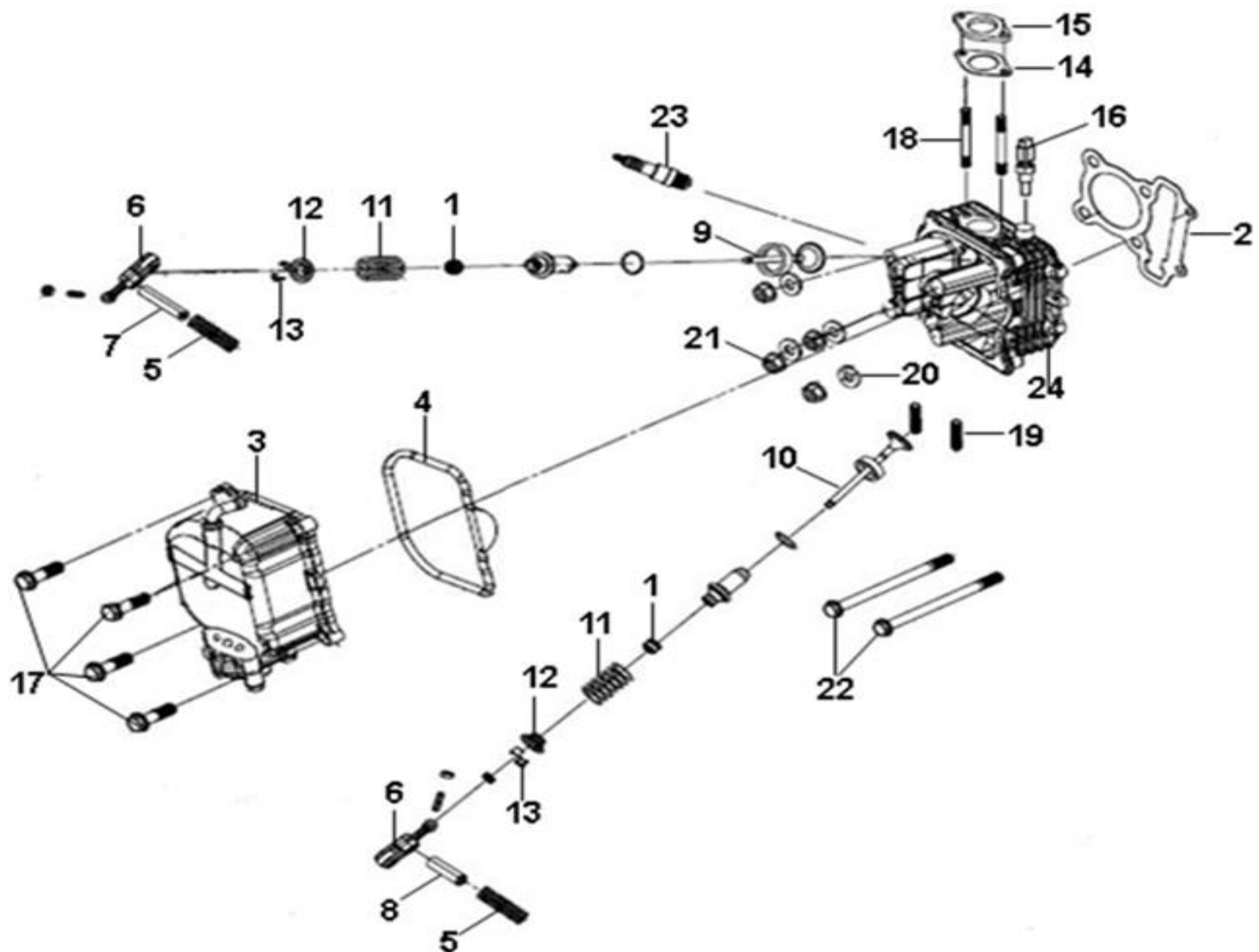
Pictures reference only

NO	PARTS NUMBER	PARTS NAME	QTY	REMARK
1	19613-GY6-9000-VN	STARTER MOTOR CORD CLAMPE	1	
2	19610-VW3-000	FAN COVER ASSY.	1	
3	1962A-XWA-000-VN	SHROUD A ASSY.	1	
4	19633-H69-000-VN	B SHROUD GROMET	1	
5	1963A-XWA-000-VN	SHROUD B ASSY.	1	
6	93904-35380	TAPPING SCREW 5*16 mm	6	
7	96001-06025-08	SH. FLANGE BOLT 6*25 mm	4	

●Please check the color & stripe information according to the color index !

●Parts catalog when ordering is for reference only !

CYLINDER HEAD - VALVE STEM



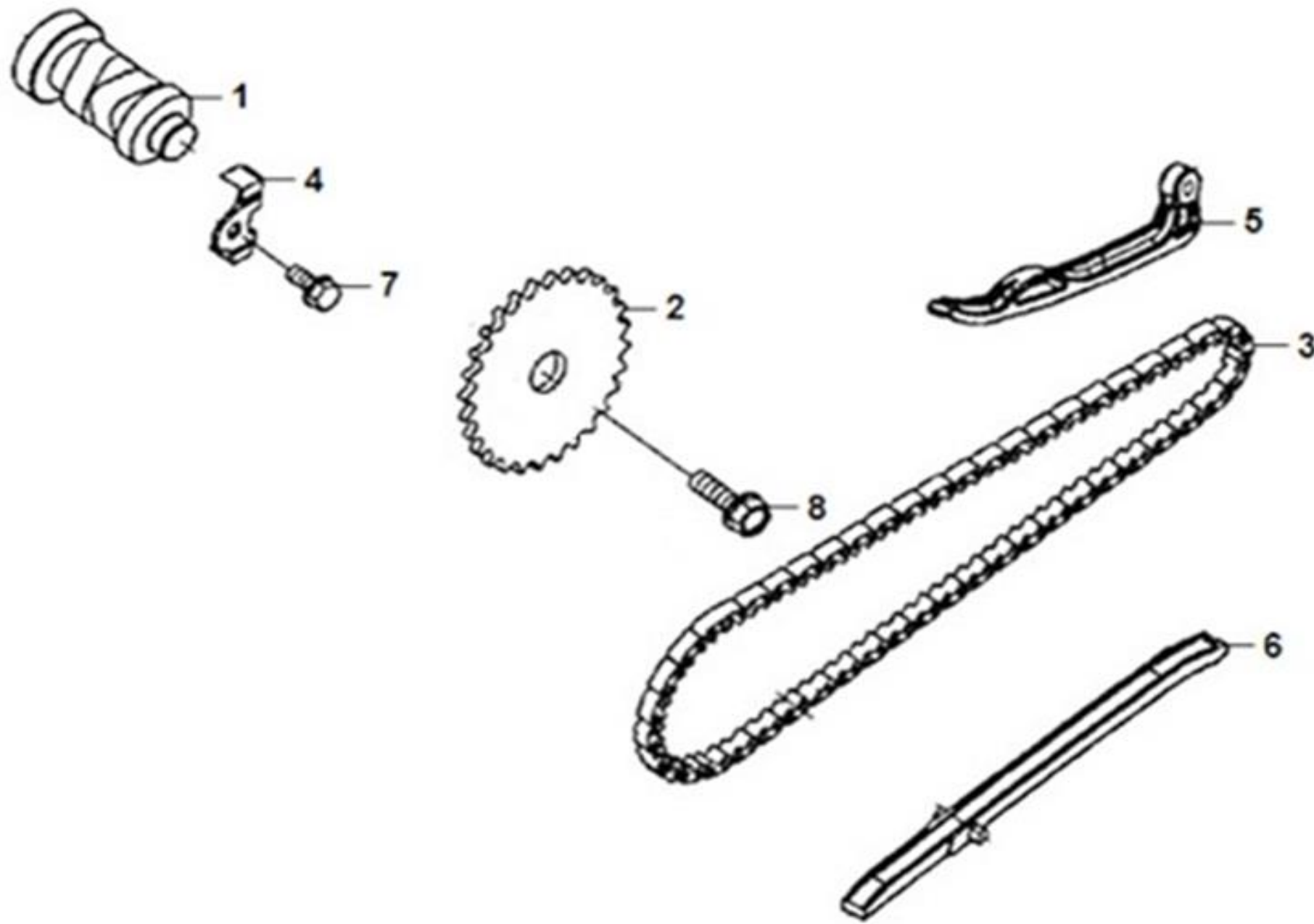
Pictures reference only

NO	PARTS NUMBER	PARTS NAME	QTY	REMARK
1	12209-L1N-000	VALVE STEM SEAL	2	
2	12251-H7A-0000	CYLINDER HEAD GASKET	1	
3	12310-XWA-000-VN	CYLINDER HEAD COVER COMP.	1	
4	12391-F91-000-VN	HEAD COVER PACKING	1	
5	14439-F62-0100-VN	ROCKER ARM TORSION SPRING	2	
6	1443A-XWA-000-VN	VALVE ROCKER ARM ASSY.	2	
7	14451-F8A-0000-L1	IN. ROCKER ARM SHAFT	1	
8	14451-H6B-0000	IN. ROCKER ARM SHAFT	1	
9	14711-F91-000-VN	IN. VALVE	1	
10	14721-F91-000-VN	EXH. VALVE	1	
11	14751-F91-000-VN	VALVE SPRING	2	
12	14771-L1N-000-VN	VALVE SPRING RETAINER	2	
13	14781-L1N-000-VN	VALVE COTTER	4	
14	16201-MA2-000-VN	CARB.INSULATOR GASKET	2	
15	16211-VW3-000	CARBULATOR INSULATOR	1	
16	37880-Z5C-0000-VN	CYL. HEAD TEMP. SENSOR	1	
17	90002-VJF-000	HEAD COVER BOLT	4	
18	90033-M92-0000	STUD BOLT 6*55 mm	2	
19	90034-HMA-0001	SPECIAL STUD BOLT 8*40 mm	2	
20	90442-028-000	SEALING WASHER 8 mm	4	
21	94050-08000	FLANGE NUT 8 mm	4	
22	96001-06095-08	FLANGE SH BOLT 6*95 mm	2	
23	AC-1PCR7HSA-3	PLUG. SPARK (NGK CR7HSA)	1	
24	12200-XWA-000-FG	CYLINDER HEAD COMP.	1	

●Please check the color & stripe information according to the color index !

●Parts catalog when ordering is for reference only !

CAM SHAFT - CAM CHAIN



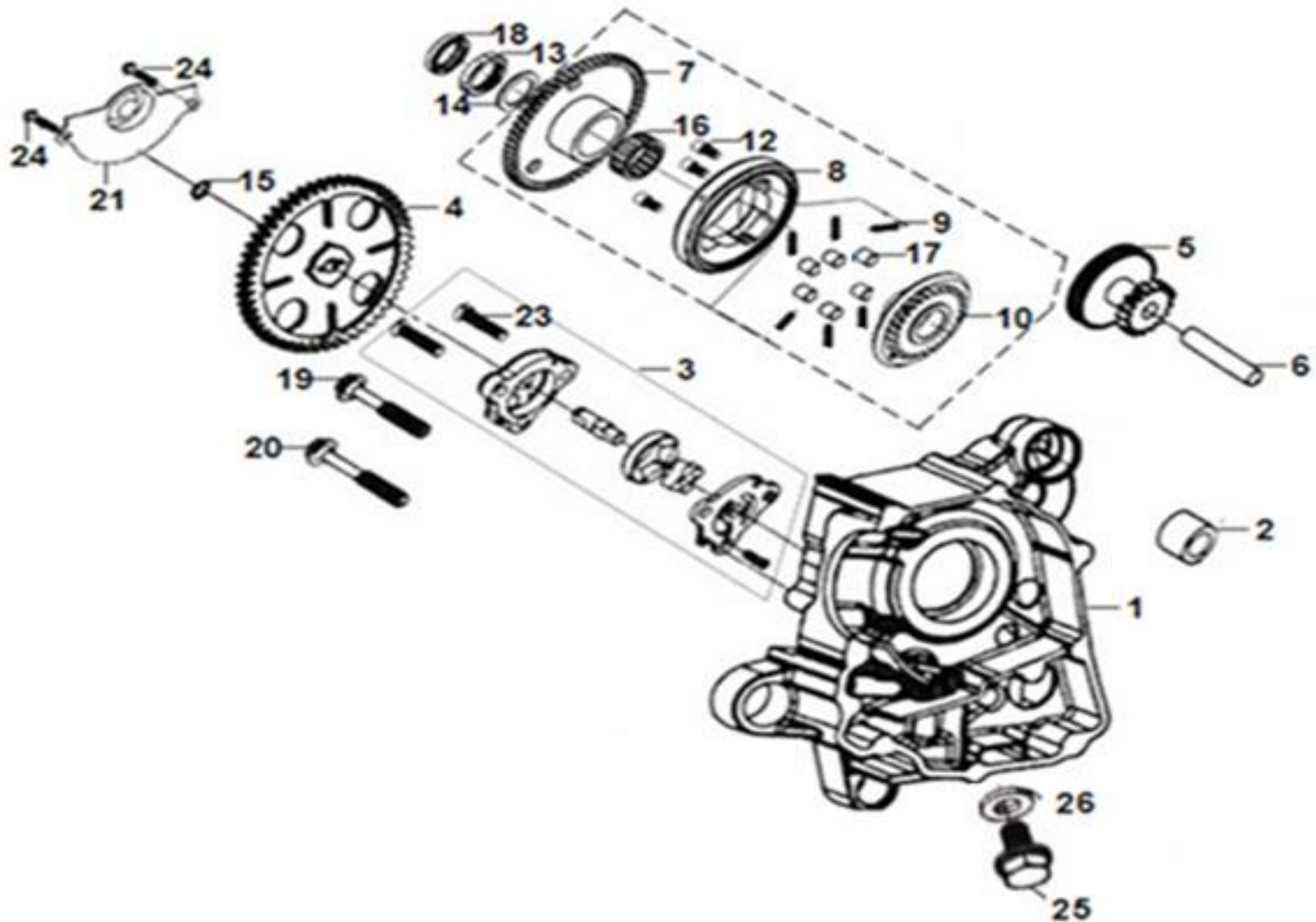
Pictures reference only

NO	PARTS NUMBER	PARTS NAME	QTY	REMARK
1	14100-XWA-000-VN	CAM SHAFT COMP.	1	
2	14105-HAM-000-VN	CAM SPROCKET	1	
3	14401-M92-003-M4-K2	CAM CHAIN	1	
4	14457-F8A-0000-L1	CAM SHAFT SETTING PLATE	1	
5	14510-F8A-0001-L1	CAM CHAIN TENSIONER	1	
6	14610-F8A-0001-L1	CAM CHAIN GUIDE	1	
7	92101-06010-0A	HEX BOLT 6*10 mm	1	
8	95701-08016-08-L1	FLANGE BOLT 8*16 mm	1	

●Please check the color & stripe information according to the color index !

●Parts catalog when ordering is for reference only !

R. CRANK CASE - OIL PUMP



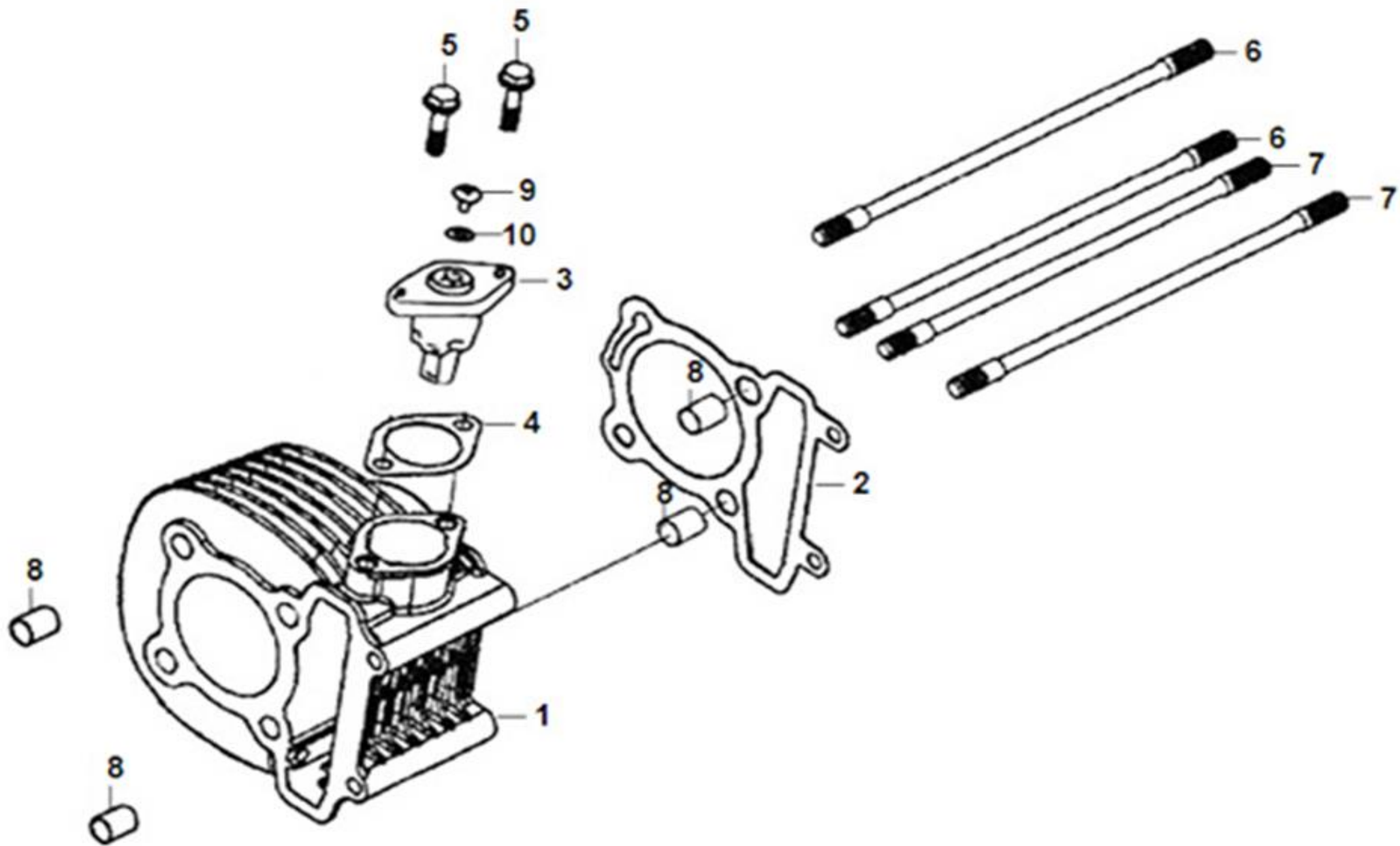
Pictures reference only

NO	PARTS NUMBER	PARTS NAME	QTY	REMARK
1	11100-XB1-000-FG	R. CRANK CASE COMP.	1	
2	11102-M9Q-3000-L1	ENG. HANGER RUBBER BUSH	1	
3	15100-F6C-0001-VN	OIL PUMP ASSY.	1	
4	15133-F6C-000	OIL PUMP DRIVEN SPROCKET	1	
5	28101-GY6-9000-VN	GEAR STARTER REDUCTION	1	
6	28102-GY6-9000-VN	STARTER REDUCTION GEAR SHAFT	1	
7	28110-XB3-000-VN	START. CLUTCH GEAR COMP	1	
8	28120-XB3-000-VN	STARTING CLUTCH OUTER COMP.	1	
9	28124-XB3-000-VN	STARTER CLUTCH ROLLER SPRING	6	
10	28125-XB3-000-VN	STARTING CLUTCH FLANGE COMP.	1	
12	90002-XB3-000-VN	SOCKET BOLT 6*10 mm	3	
13	90201-GY6-9000-VN	LOCK NUT 22 mm	1	
14	90403-M92-000	THRUST WASHER 22.2*31*1.5 mm	1	
15	90602-N01-000	C-CLIP 8 mm	2	
16	91104-XB3-000-VN	NEEDLE BEARING 28*32*17 mm	1	
17	91105-XB3-000-VN	ROLLER 10.2*10 mm	6	
18	91201-M9Q-300-M2	OIL SEAL 19.8*30*5 mm	1	
19	96001-06045-08	SH FLANGE BOLT 6*45 mm	1	
20	96001-06055-08	SH FLANGE BOLT 6*55 mm	1	
21	15711-M92-0000	OIL PUMP SEPARATOR	1	
23	93600-06025-0A	FLATE SCREW 6*25 mm	2	
24	96001-06012-08	SH. FLANGE BOLT 6X12 mm	2	
25	92800-12000	DRAIN PLUG BOLT 12 mm	1	
26	94109-12000	PLUG DRAIN WASHER 12 mm	1	

●Please check the color & stripe information according to the color index !

●Parts catalog when ordering is for reference only !

CYLINDER - TENSIONER LIFTER ASSY.



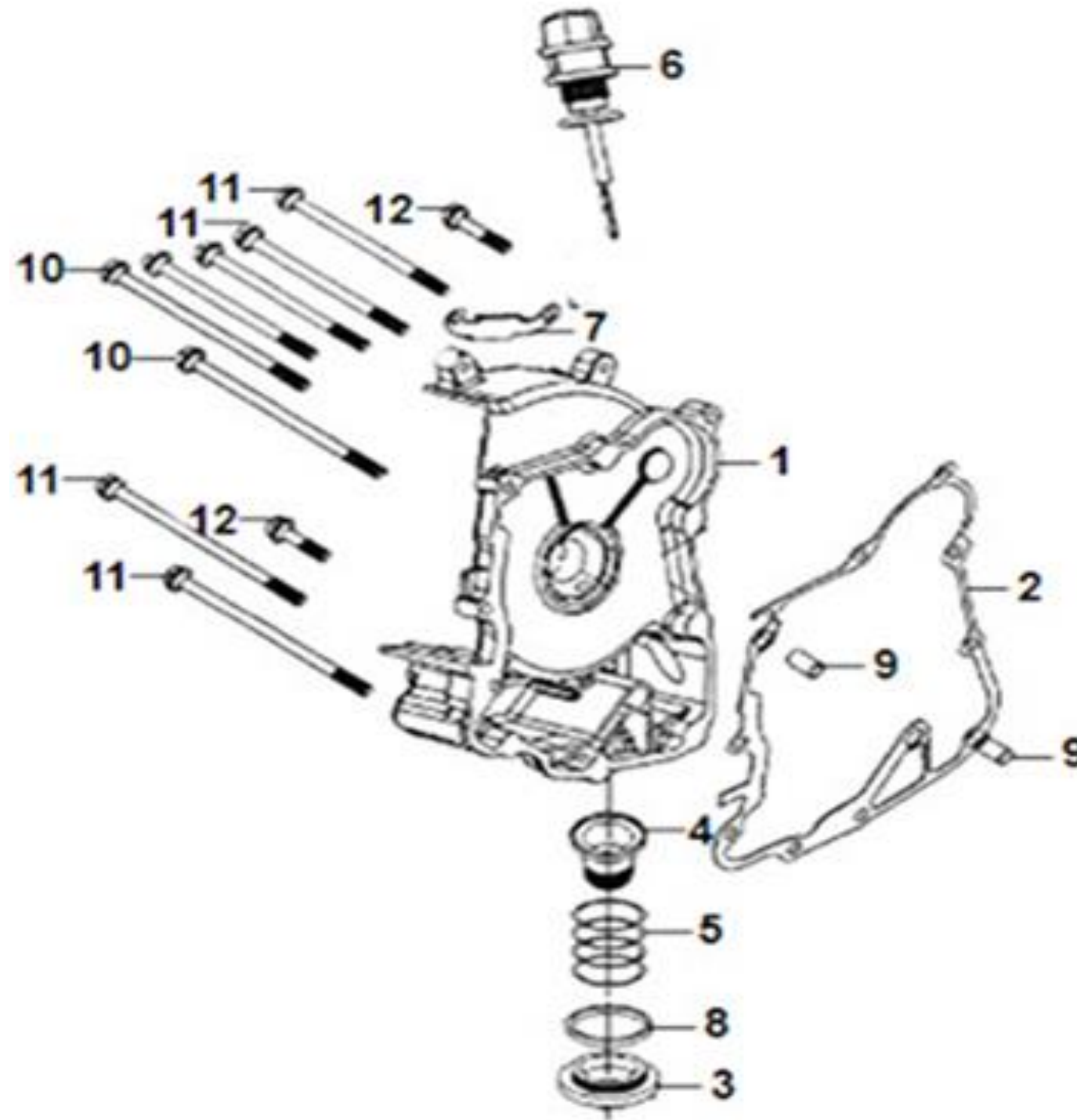
Pictures reference only

NO	PARTS NUMBER	PARTS NAME	QTY	REMARK
1	12100-A61-000-VN	CYLINDER COMP.	1	
2	12191-Z2D-000	CYLINDER GASKET	1	
3	14520-GY6-901	TENSIONER LIFTER ASSY.	1	
4	14523-Z8G-000	TENSIONER LIFTER GASKET	1	
5	90001-M9Q-0000	SH FLANGE BOLT 6*22 mm	2	
6	90031-107-010	CYLINDER STUD BOLT A	2	
7	90032-A6A-0000-VN	CYLINDER STUD BOLT B	2	
8	90703-M8Q-0003	DOWEL PIN 10*14 mm	4	
9	90005-KW1-9000	PAN SCREW 6*6 mm	1	
10	91306-GY6-A00	O-RING 1.78*9.5 mm	1	

●Please check the color & stripe information according to the color index !

●Parts catalog when ordering is for reference only !

R. CRANK CASE COVER - OIL LEVEL GAUGE ASSY.



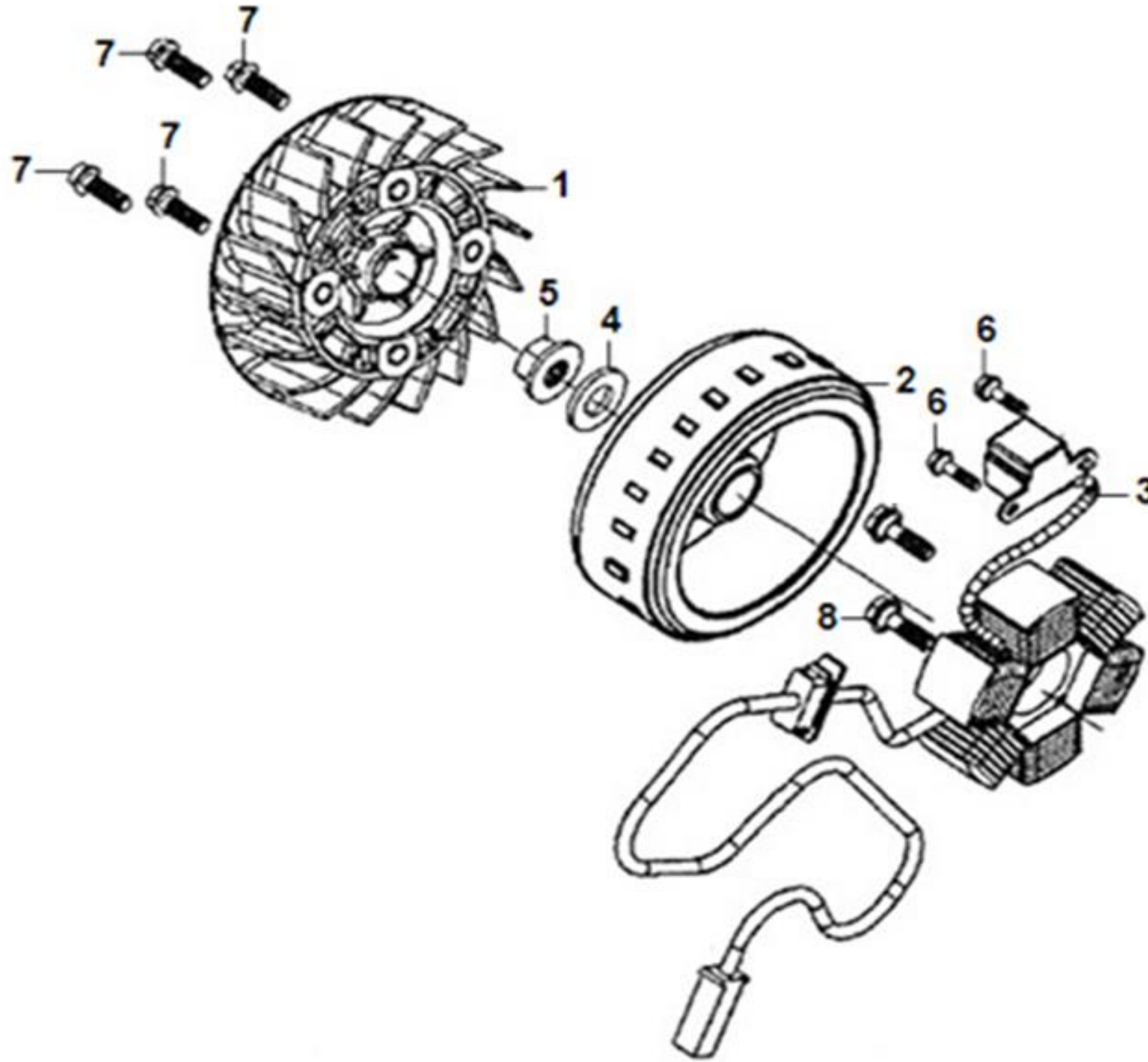
Pictures reference only

NO	PARTS NUMBER	PARTS NAME	QTY	REMARK
1	11331-ARB-0003-VN	R. CRANK CASE COVER	1	
2	11394-Z2D-0000-VN	R. COVER GASKET	1	
3	12361-M9Q-0000	TAPPET ADJUSTING HOLE CAP	1	
4	15421-H66-0000-VN	OIL FILTER SCREEN	1	
5	15426-M9Q-000	OIL FILLTER SCREEN SPRING	1	
6	1565A-F6C-000-VN	OIL LEVEL GAUGE ASSY.	1	
7	32961-ARA-000	A.C.GEN CORD CLAMPER	1	
8	91302-M9Q-0000	O-RING 30.8*3.2 mm	1	
9	94301-08140	DOWEL PIN 8x14 mm	2	
10	96001-06100-08	SH FLANGE BOLT 6*100 mm	2	
11	96001-06095-08	FLANGE SH BOLT 6*95 mm	6	
12	96001-06030-08	SH. FLANGE BOLT 6*30 mm	2	
13	12342-X01-0000	CLAMP (50 mm)	1	
14	80109-XB1-010-VN	RR. MUDGUARD STAY	1	

●Please check the color & stripe information according to the color index !

●Parts catalog when ordering is for reference only !

AC GEN. ASSY - FLYWHEEL COMP



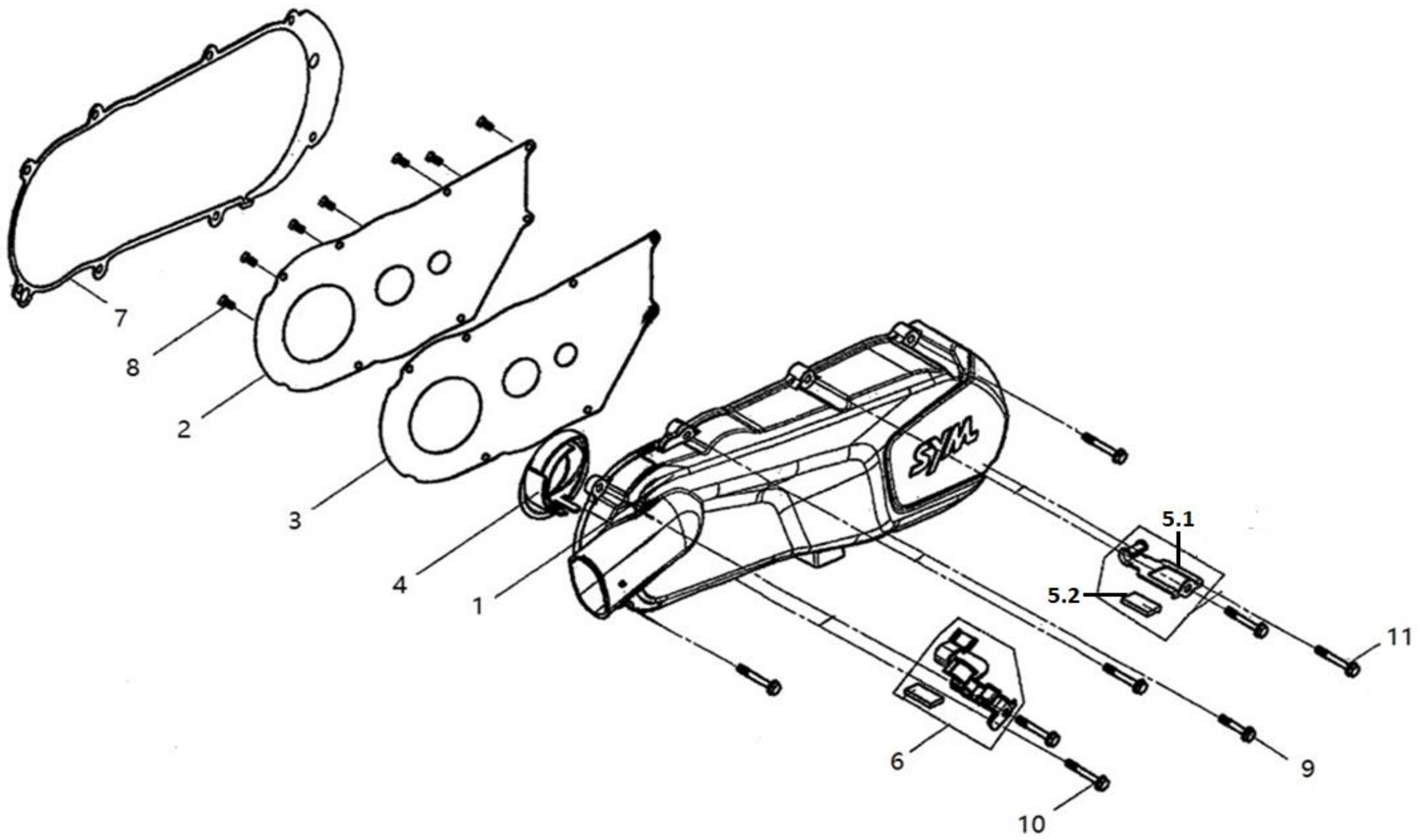
Pictures reference only

NO	PARTS NUMBER	PARTS NAME	QTY	REMARK
1	19510-H69-0000-CN1	COOLING FAN COMP.	1	
2	31110-Z5C-010	FLYWHEEL COMP	1	
3	31120-X8A-000	STATOR COMP.	1	
4	90440-166-000	PLAIN WASHER 12.2 mm	1	
5	94050-12000	FLANGE NUT 12 mm	1	
6	92101-05012-0A	HEX BOLT 5*12 mm	2	
7	95701-06018-08-L1	FLANGE BOLT 6*18 mm	4	
8	96001-06025-08	SH. FLANGE BOLT 6*25 mm	4	

●Please check the color & stripe information according to the color index !

●Parts catalog when ordering is for reference only !

L. CRANK CASE COVER - L. COVER GASKET



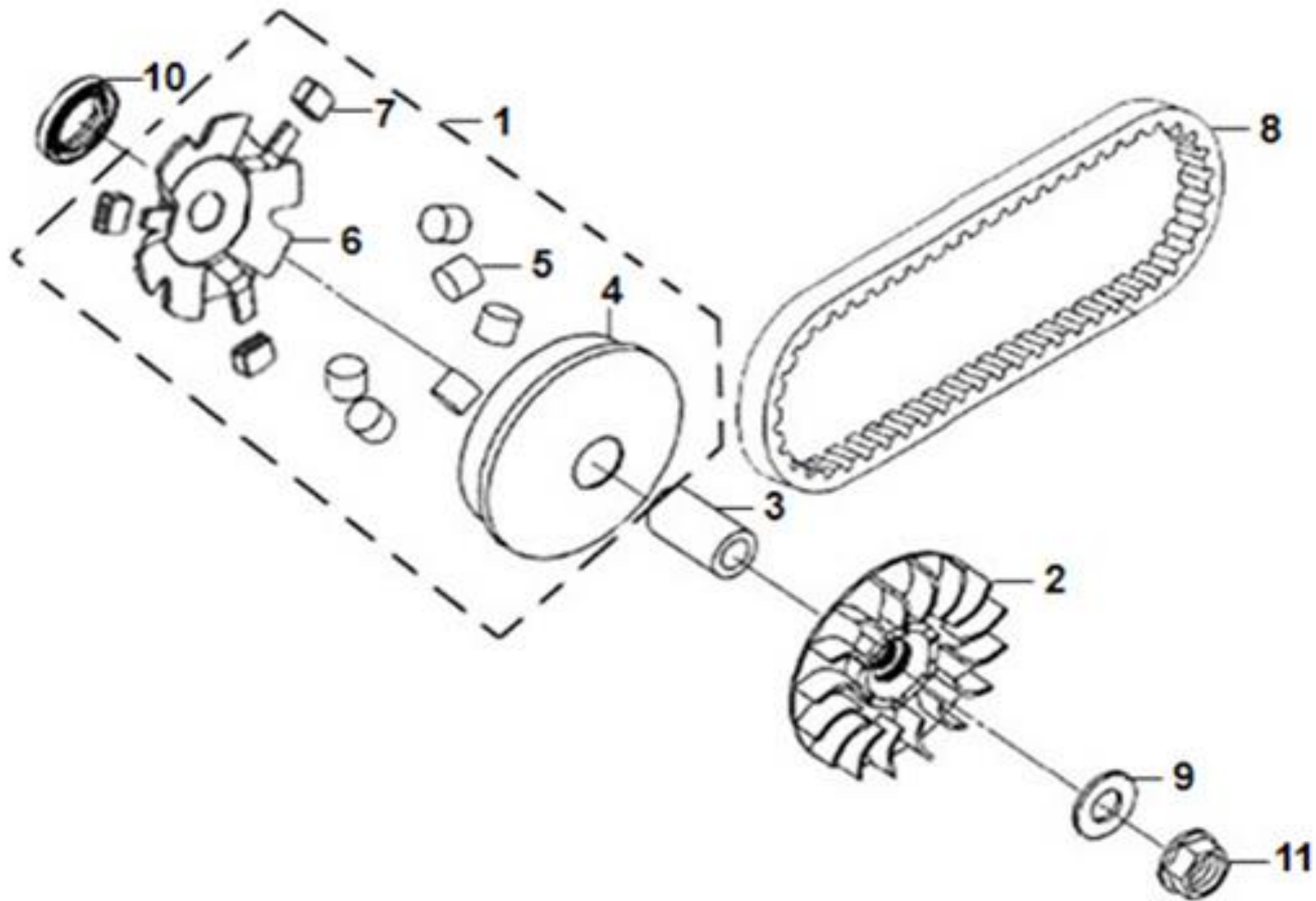
Pictures reference only

NO	PARTS NUMBER	PARTS NAME	QTY	REMARK
1	11341-XVA-000-VN	L. CRANK CASE COVER	1	
2	11342-ANA-0001-VN	L. SIDE COVER PLATE	1	
3	11343-Z2D-000-VN	L. SIDE COVER PLATE GASKET	1	
4	11347-Z2D-000-VN	AIR GUIDE PLATE	1	
5.1	11382-XJA-000-VN	BRAKE CABLE CLAMPER COMP	1	
5.2	64307-ABA-000-VN	RUBBER SEAL	1	
6	1138A-Z7P-0000	BRAKE CABLE CLAMPER COMP.	1	
7	11395-Z2D-000-VN	L. COVER GASKET	1	
8	92101-05012-0A	HEX BOLT 5*12 mm	7	
9	96001-06020	SH. FLANGE BOLT 6*20 mm	1	
10	96001-06028-00	FLANGE BOLT SH 6*28 mm	6	
11	96001-06035-00	SH. FLANGE BOLT 6*35 mm	1	

●Please check the color & stripe information according to the color index !

●Parts catalog when ordering is for reference only !

MOVABLE DRIVE FACE ASS'Y - DRIVE BELT



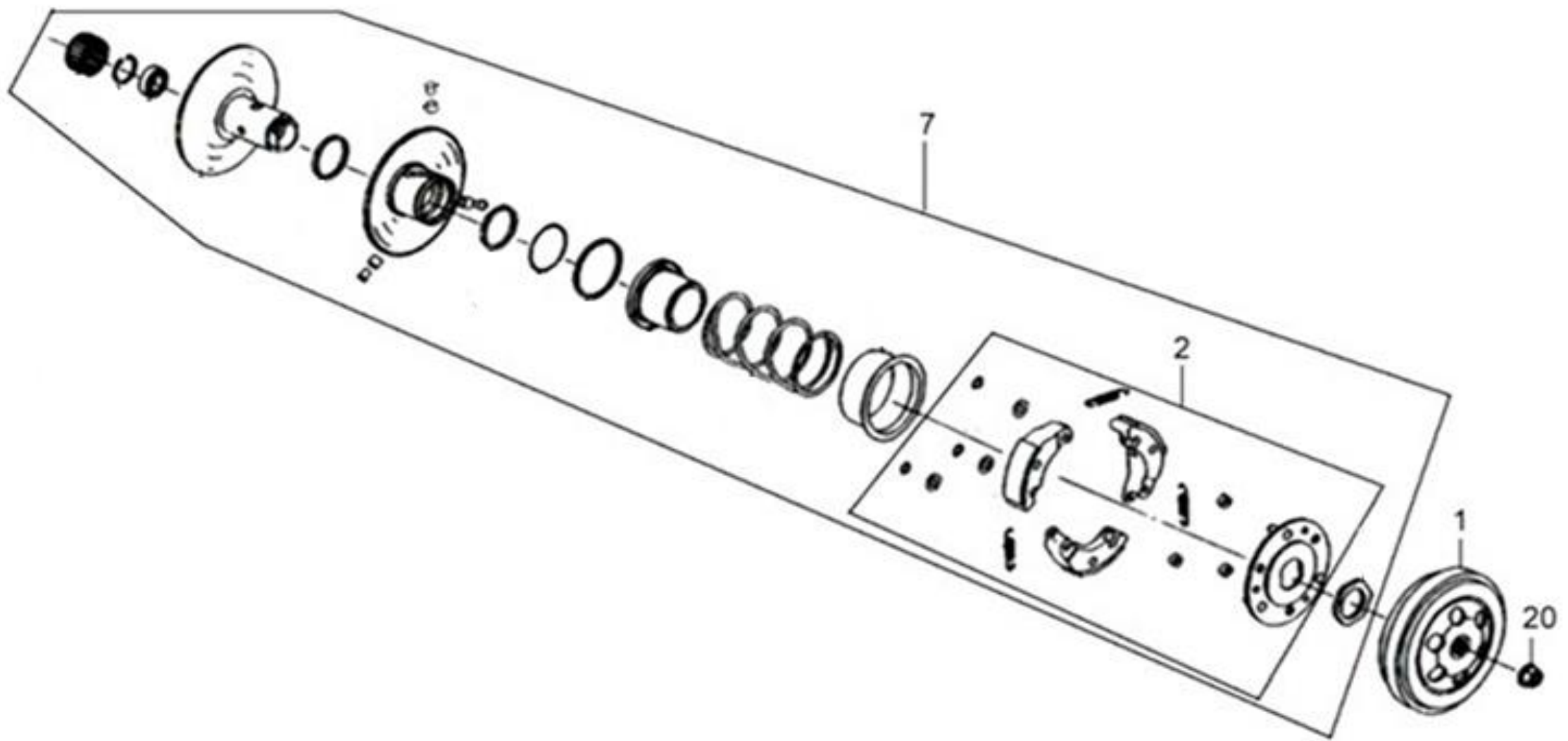
Pictures reference only

NO	PARTS NUMBER	PARTS NAME	QTY	REMARK
1	2211A-XRE-000-VN	MOVABLE DRIVE FACE ASSY.	1	
2	22102-XRE-000-VN	DRIVE FACE COMP.	1	
3	22105-M92-000	DRIVE FACE BOSS	1	
4	22110-FZT-000-VN	MOVABLE DRIVE FACE COMP.	1	
5	22121-ZFA-000-VN	WEIGHT ROLLER COMP.	6	
6	22131-FZT-000-VN	RAMP PLATE	1	
7	22132-FZT-000-VN	SLIDE PIECE	3	
8	23100-AJC-000-VN	DRIVE BELT	1	
9	90440-166-000	PLAIN WASHER 12.2 mm	1	
10	91204-HMA-0005-M2-VN	OIL SEAL TC25*40*7 mm	1	
11	94050-12000	FLANGE NUT 12 mm	1	

●Please check the color & stripe information according to the color index !

●Parts catalog when ordering is for reference only !

DRIVEN PULLEY ASS'Y - CLUTCH OUTER



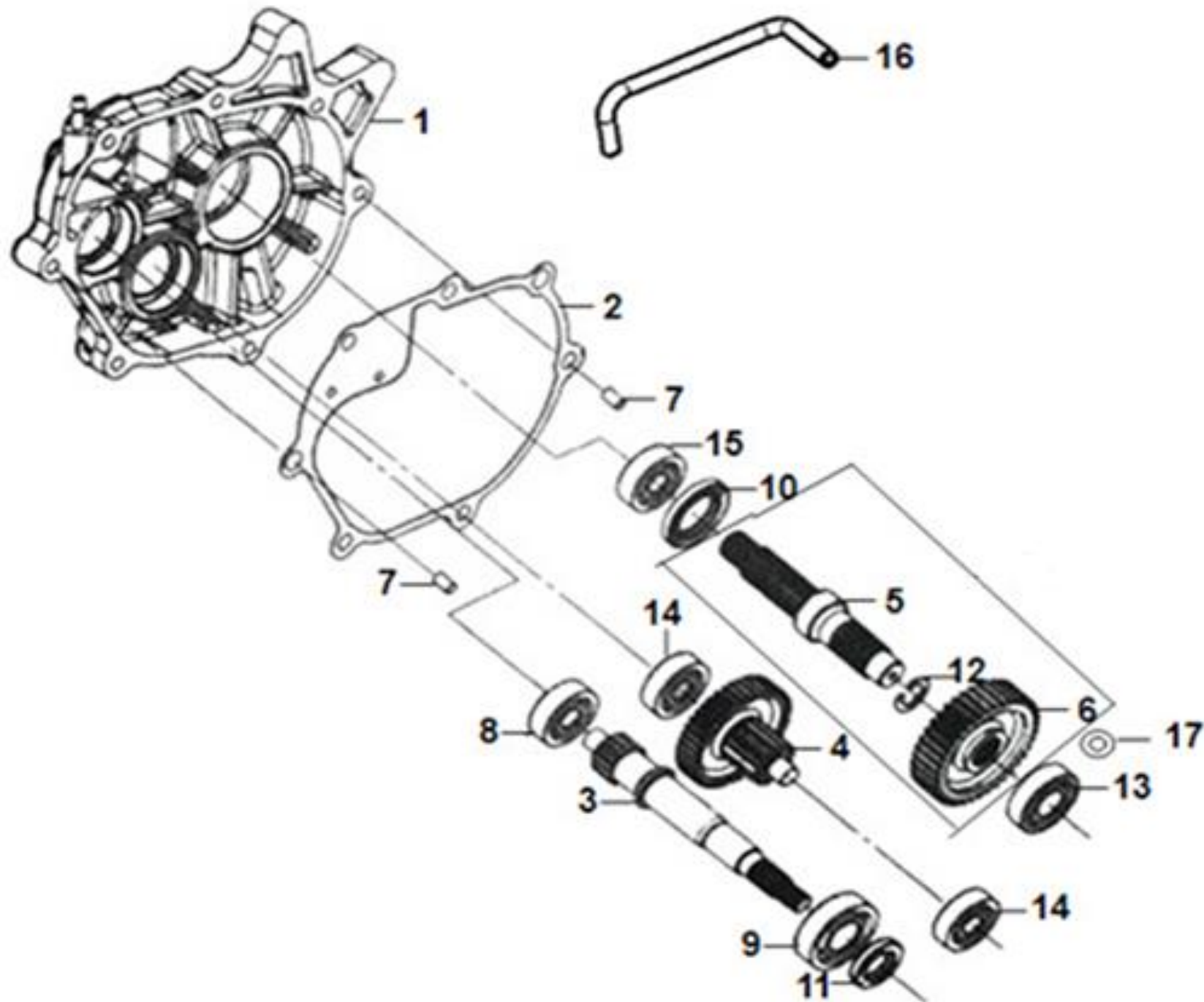
Pictures reference only

NO	PARTS NUMBER	PARTS NAME	QTY	REMARK
1	22101-M9Q-000	CLUTCH OUTER	1	
2	22300-VW2-000	DRIVE PLATE ASSY.	1	
7	23010-XRE-000	DRIVEN PULLEY ASSY.	1	
20	94050-12000	FLANGE NUT 12 mm	1	

•Please check the color & stripe information according to the color index !

•Parts catalog when ordering is for reference only !

MISSION CASE - DRIVE SHAFT



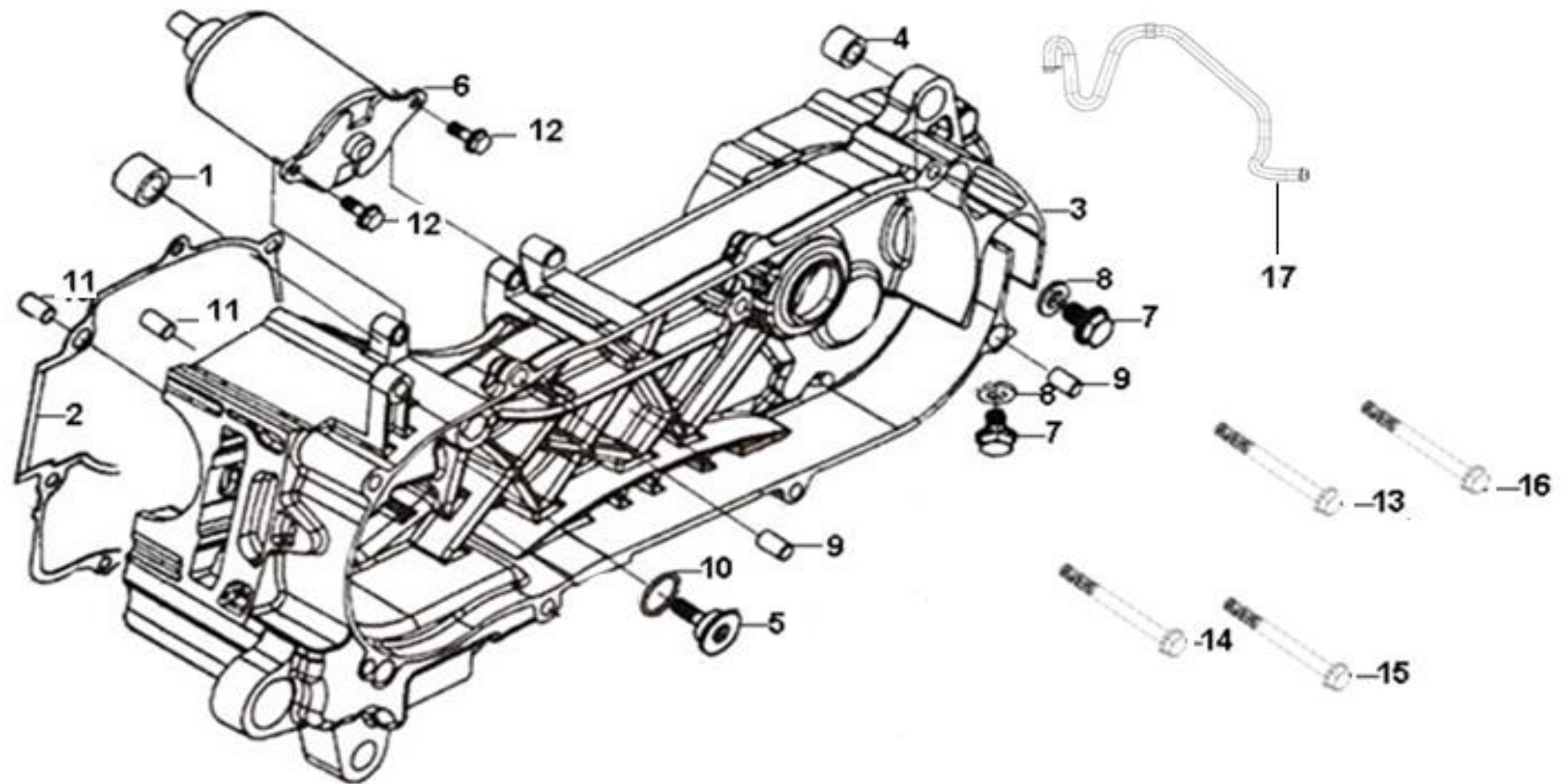
Pictures reference only

NO	PARTS NUMBER	PARTS NAME	QTY	REMARK
1	21200-A6A-0003-VN	MISSION CASE COMP.	1	
2	21395-Z2D-000	MISSION COVER GASKET	1	
3	23411-ANL-000-VN	DRIVE SHAFT	1	
4	23420-MA1-010-VN	COUNTER SHAFT COMP.	1	
5	23431-AR1-0001-VN	FINAL SHAFT	1	
6	23432-ANL-000-VN	FINAL GEAR	1	
7	90703-M8Q-0003	DOWEL PIN 10*14 mm	2	
8	91003-M8Q-000	RADIAL BALL BRG. (CSB301)	1	
9	91104-KN7-670	RADIAL BALL BRG. (CSB204)	1	
10	91203-A6A-0000-VN	OIL SEAL TC34*52*8 mm	1	
11	91202-KJ9-0030-M1-VN	OIL SEAL 20*32*6 mm	1	
12	94510-25000	EX. CIRCLIP 25 mm	1	
13	96100-62033-10	RADIAL BALL BRG. (6203)	1	
14	96100-63013-00	RADIAL BALL BRG (6301)	2	
15	96150-62050-10	RADIAL BALL BEARING (6205 LLU)	1	
16	11221-XC1-000-VN	MISSION BREATHER TUBE	1	
17	90401-ANL-0000-VN	WASHER 17*30*1 mm	1	

●Please check the color & stripe information according to the color index !

●Parts catalog when ordering is for reference only !

CRANK CASE COMP - START MOTOR ASSY



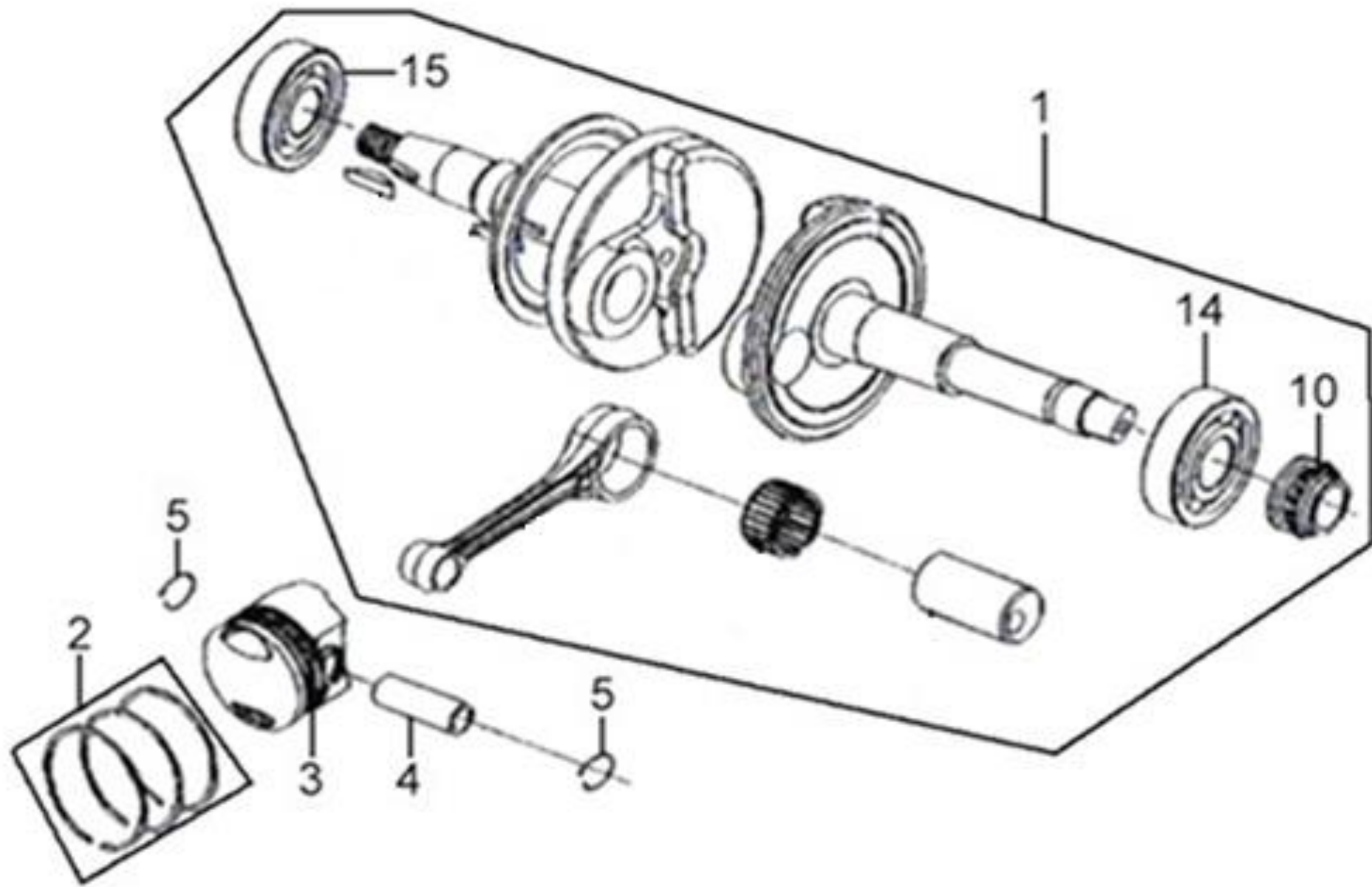
Pictures reference only

NO	PARTS NUMBER	PARTS NAME	QTY	REMARK
1	11102-M9Q-3000-L1	ENG. HANGER RUBBER BUSH	2	
2	11192-Z2D-000-VN	R. CRANK CASE GASKET	1	
3	11200-XB1-000-FG	L. CRANK CASE COMP.	1	
4	11203-M9Q-3000-VN	RR. CUSH. UN. RUBBER BUSH	1	
5	14531-M9Q-0000	CAM CHAIN TENSIONER PIVOT	1	
6	31200-F6C-000-VN	START MOTOR ASSY	1	
7	90103-KN8-000A-VN	SPECIAL BOLT 8*12 mm	2	
8	90474-333-000	WASHER 8 mm	2	
9	90703-M8Q-0003	DOWEL PIN 10*14 mm	2	
10	91301-GR0-003	O-RING 15.2*1.5 mm	1	
11	94301-08140	DOWEL PIN 8x14 mm	4	
12	96001-06016-08	SH. FLANGE BOLT 6*16 mm	2	
13	95701-08055-00	FLANGE BOLT 8*55 mm	2	
14	95701-08060-00	SH. FLANGE BOLT 8*60 mm	1	
15	95701-08065-00	FLANGE BOLT 8*65 mm	3	
16	95701-08068-00	FLANGE BOLT 8*68 mm	1	
17	11211-XWA-000-VN	BREATHER TUBE	1	

●Please check the color & stripe information according to the color index !

●Parts catalog when ordering is for reference only !

CRANK SHAFT - PISTON

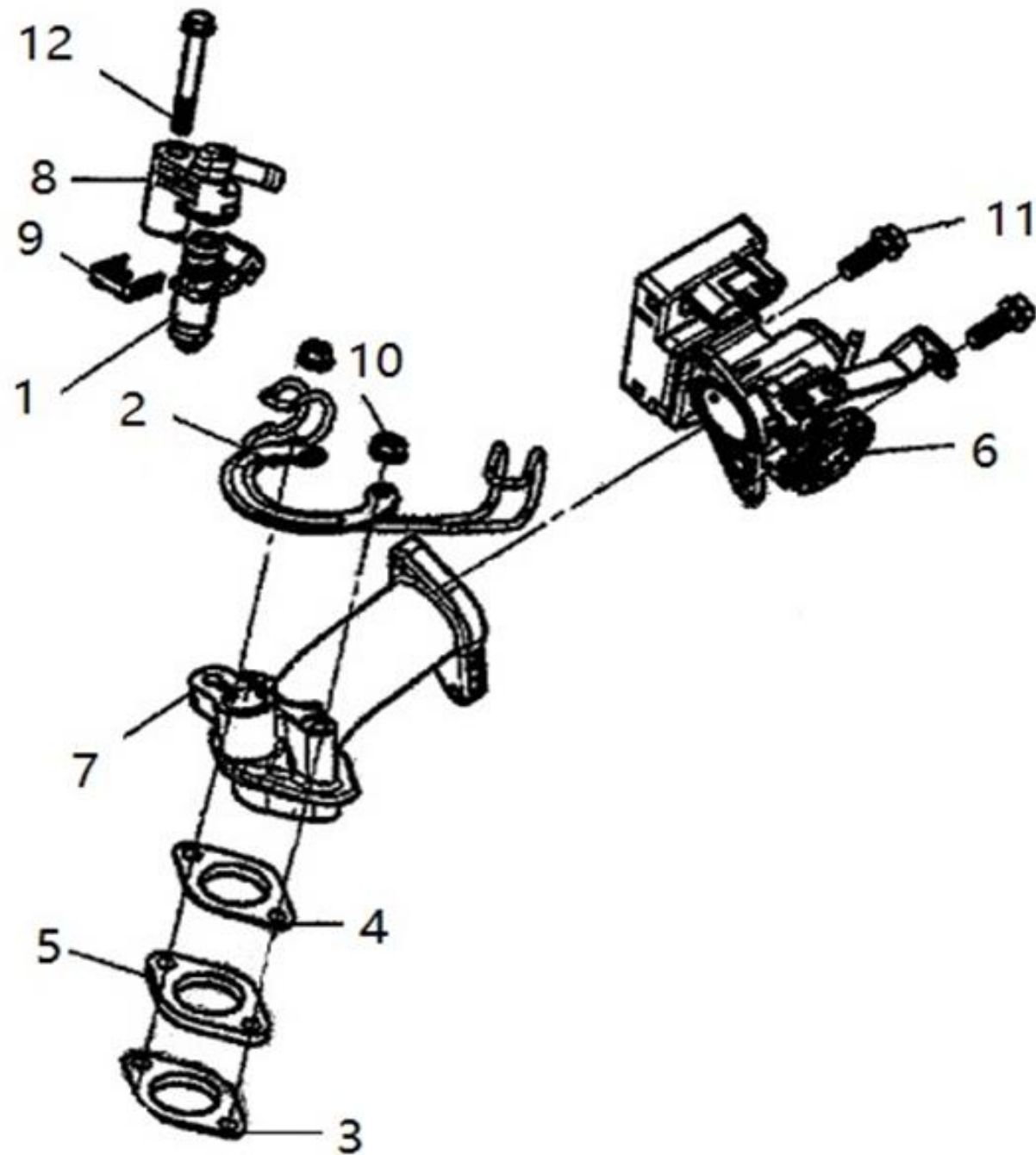


Pictures reference only

NO	PARTS NUMBER	PARTS NAME	QTY	REMARK
1	13000-XB4-000-VN	CRANK SHAFT COMP.	1	
2	13010-VW3-000-VN	PISTON RING SET (Std)	1	
3	13101-VW3-000	PISTON	1	
4	13111-M4Q-0000	PISTON PIN	1	
5	94601-15000	PISTON PIN CLIP 15 mm	2	
10	14311-ARA-300-VN	TIMING SPROCKET	1	
14	91001-F6A-300	RADIAL BALL BRG. (TMB207C3)	1	
15	91001-H6B-300	RADIAL BALL BRG. (63/22)	1	

●Please check the color & stripe information according to the color index !

●Parts catalog when ordering is for reference only !



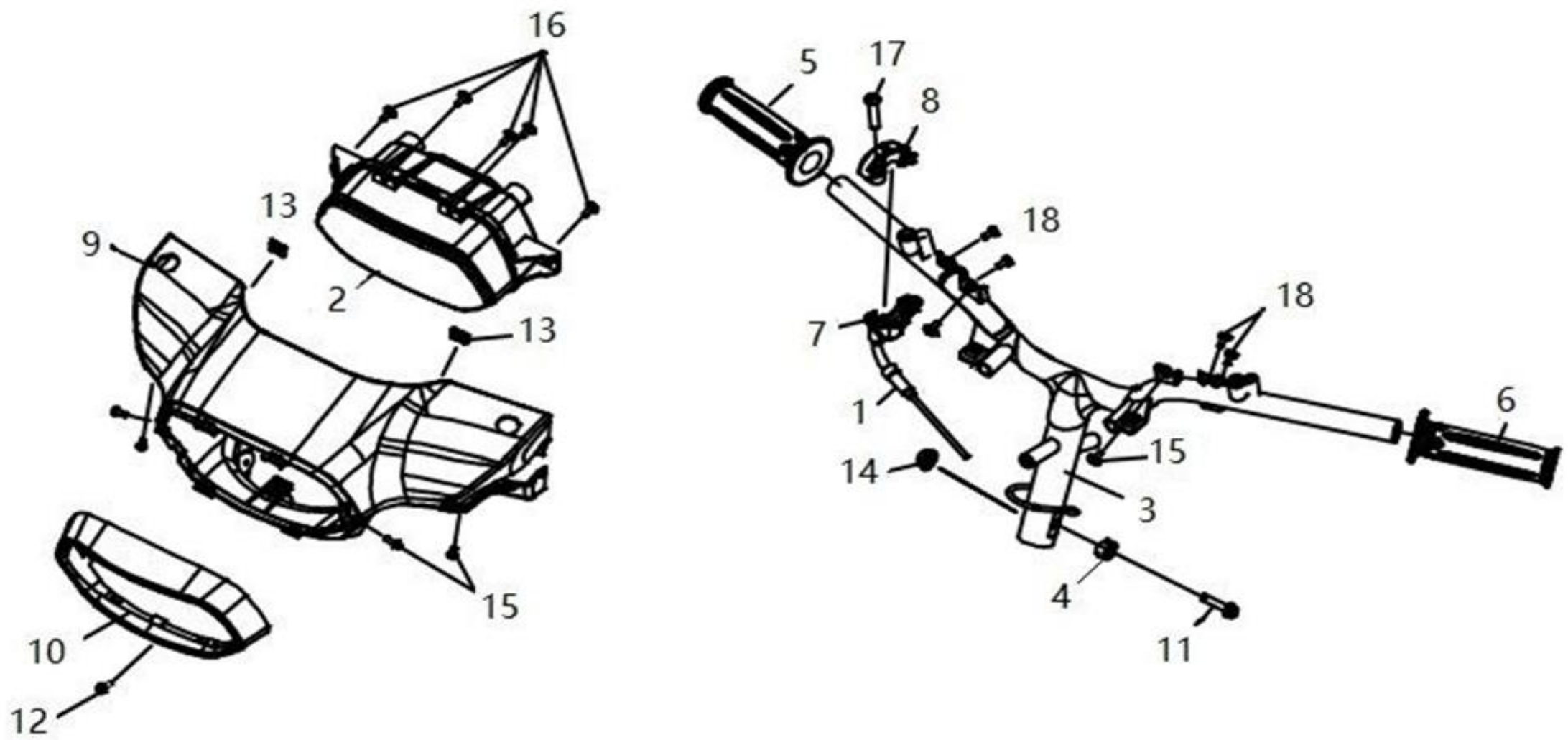
Pictures reference only

NO	PARTS NUMBER	PARTS NAME	QTY	REMARK
1	06414-HKK-0001-VN	FUEL INJECTOR	1	
2	11381-XB1-000-VN	WIRE HARNESS CLAMPER	1	
3	16201-MA2-000-VN	CARB.INSULATOR GASKET	1	
4	16201-Z2D-000	CARB.INSULATOR GASKET	1	
5	16211-VW3-000	CARBULATOR INSULATOR	1	
6	1640A-VW3-000-AE	ECU SET	1	
7	17110-XB1-000-VN	INLET PIPE COMP.	1	
8	17120-XJA-000	FUEL INJECTOR CAP ASSY.	1	
9	17121-H6Y-000	FUEL INJECTOR CAP CLIP	1	
10	94050-06080	FLANGE NUT 6 mm	2	
11	96001-06016-08	SH. FLANGE BOLT 6*16 mm	2	
12	96001-06045-00	SH FLANGE BOLT 6*45 mm	1	

●Please check the color & stripe information according to the color index !

●Parts catalog when ordering is for reference only !

FR. HANDLE COVER - HEAD LIGHT ASSY



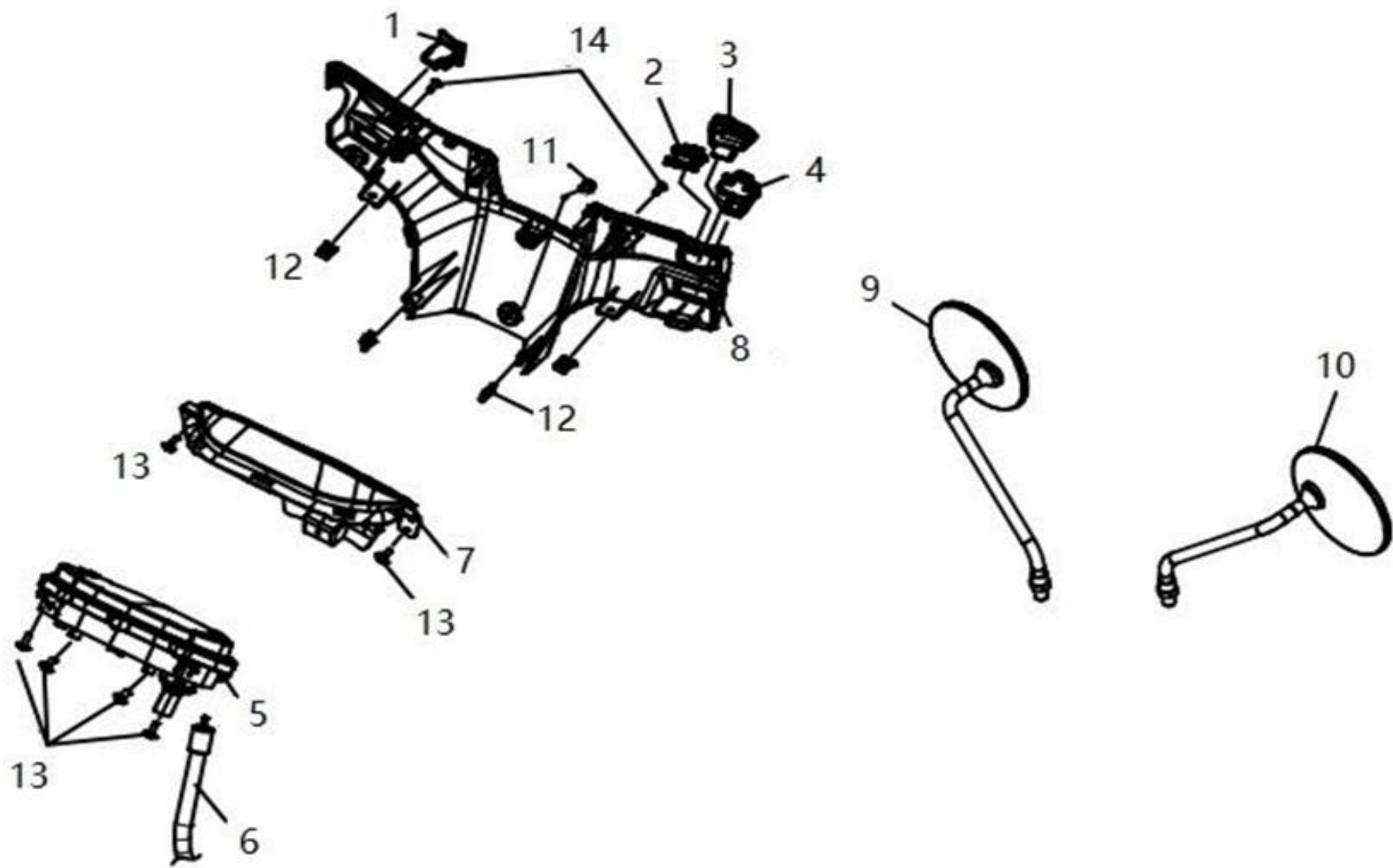
Pictures reference only

NO	PARTS NUMBER	PARTS NAME	QTY	REMARK
1	17910-VW3-000	THROT. CABLE COMP	1	
2	33100-VW3-000-VN	HEAD LIGHT ASSY	1	
3	53100-VW3-000	STRG. HANDLE COMP.	1	
4	53125-M9Q-000	HANDLE SET COLLAR	1	
5	53140-SA5-0000	R. HANDLE GRIP COMP.	1	
6	53166-M9Q-0000	L. HANDLE GRIP	1	
7	53167-H09-9001-L1	THROT. UND. HOUSING	1	
8	53168-H09-0001	THROT UP. HOUSING	1	
9	53205-VW3-000-GX	FR. HANDLE COVER (GY-218)	1	Gray (for Gray/ Black bike)
9	53205-VW3-000-TF	FR HANDLE COVER (R-417)	1	Red (for Red/ Silver bike)
9	53205-VW3-000-WM	FR HANDLE COVER (WH-057P)	1	White (for White/ Silver bike)
10	53207-VW3-000-SW	FR. HANDE COVER GARNISH (S-352UL)	1	Silver (for White/ Silver & Red/ Silver bike)
10	53207-VW3-000-KW	FR. HANDE COVER GARNISH (BK-502C)	1	Black (for Gray/ Black bike)
11	90106-VT3-0002-L1	FLANGE BOLT 10*50 mm	1	
12	90118-HAA-0000	WASHER BOLT 5*14 mm	1	
13	90302-SA4-003B	SPRING NUT 4 mm	2	
14	90304-M9Q-000	FLANGE. U NUT 10 mm	1	
15	93903-34380	TAPPING SCREW 4x12 mm	6	
16	93903-35220	TAPPING SCREW 5x12 mm	5	
17	94001-05070-0S	HEX NUT 5 mm	1	
18	96700-06012-08-L1	SOCKET BOLT 6*16 mm	4	

●Please check the color & stripe information according to the color index !

●Parts catalog when ordering is for reference only !

RR. HANDLE COVER - SPEEDOMETER ASSY.

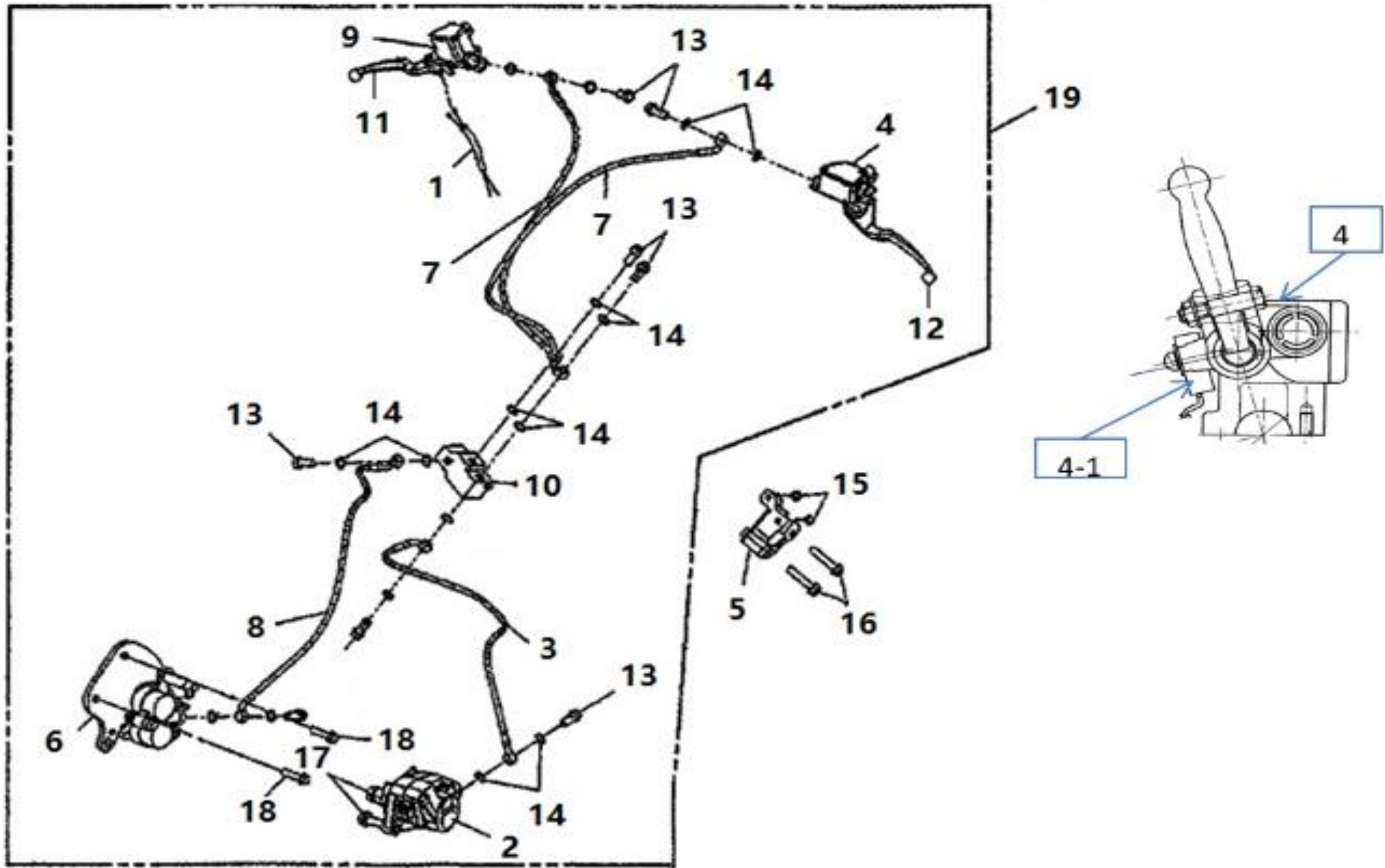


Pictures reference only

NO	PARTS NUMBER	PARTS NAME	QTY	REMARK
1	35160-F81-000	START SW. UNIT	1	
2	35170-F81-000	DIMMER . SW. UNIT	1	
3	35180-LH1-000	HORN SW. UNIT	1	
4	35200-LH1-000	WINKER SW. UNIT	1	
5	37200-VW3-900-VN	SPEEDOMETER ASSY.	1	
6	44830-U43-000-VN	SPEEDOMETER SENSOR COMP	1	
7	53204-VW3-000-GX	METER GARNISH (GY-218)	1	Gray (for Gray/ Black bike)
7	53204-VW3-000-TF	METER GARNISH (R-417)	1	Red (for Red/ Silver bike)
7	53204-VW3-000-WM	METER GARNISH (WH-057P)	1	White (for White/ Silver bike)
8	53206-VW3-000-GX	RR. HANDLE COVER (GY-218)	1	Gray (for Gray/ Black bike)
8	53206-VW3-000-TF	RR. HANDLE COVER (R-417)	1	Red (for Red/ Silver bike)
8	53206-VW3-000-WM	RR. HANDLE COVER (WH-057P)	1	White (for White/ Silver bike)
9	88110-VCA-900	R. BACK MIRROR ASSY	1	
10	88120-VCA-900	L. BACK MIRROR ASSY	1	
11	90118-HAA-0000	WASHER BOLT 5*14 mm	1	
12	90302-SA4-003B	SPRING NUT 4 mm	4	
13	93903-34320	TAPPING SCREW 4x12 mm	6	
14	93903-34380	TAPPING SCREW 4x12 mm	2	

●Please check the color & stripe information according to the color index !

●Parts catalog when ordering is for reference only !



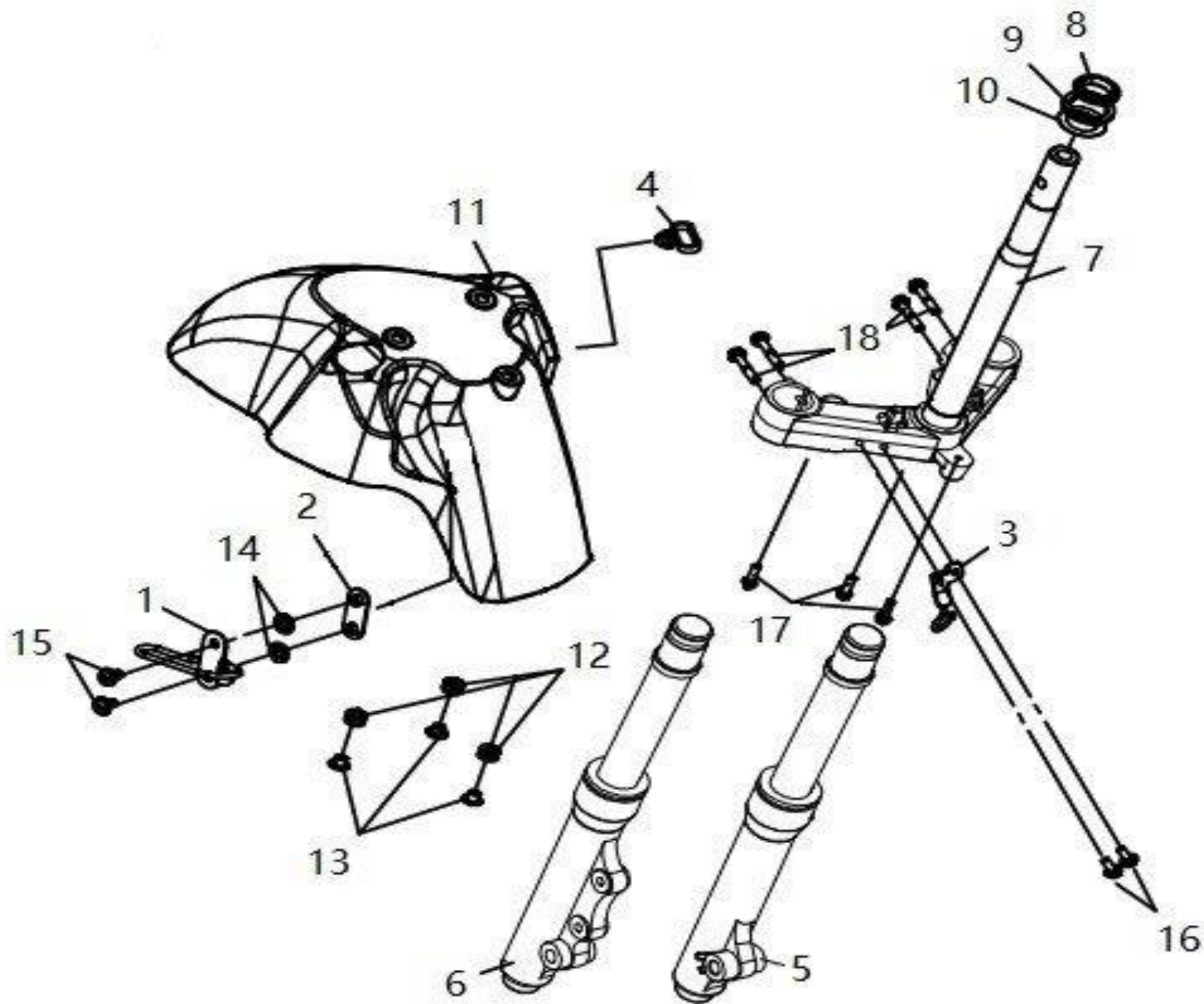
Pictures reference only

NO	PARTS NUMBER	PARTS NAME	QTY	REMARK
1	35342-M9Q-000	FR STOP SW CORD COMP.	1	
2	43100-XJA-910-VN	RR. CALIPER ASSY	1	
2.1	4310C-ARB-000-VN	PAD COMP.	2	
3	43125-XVA-000-VN	RR BRAKE HOSE B COMP.	1	
4	43500-XMC-000-VN	RR. M/C ASSY	1	
4.1	35340-ARB-000	RR. STOP SWITCH	1	
5	45001-XG1-000-VN	CBS CONTROL STAY	1	
6	45100-ZEA-000-VN	FR. CALIPER ASSY	1	
6.1	4510B-VXA-000-PH	FR. PAD SET (A+B)	1	
7	45124-VW3-000-VN	FR BRAKE HOSE A COMP.	2	
8	45125-VW3-000-VN	FR BRAKE HOSE B COMP.	1	
9	45500-AAA-000-VN	FR M/C ASSY	1	
9.1	35340-VW3-000-VN	FR.HANDLE STOP SWITCH	1	
10	46300-LEA-000-VN	CBS CONTROL VALVE ASSY	1	
11	53175-T6V-000	R. LEVER STRG. HANDLE	1	
12	53178-ARB-000	L. STRG. HANDLE LEVER	1	
13	90145-M9Q-000	OIL BOLT 10x22 mm	8	
14	90545-M9Q-0000-SVC	OIL BOLT WASHER	16	
15	95801-06008-08	FLANGE BOLT 6*8 mm	2	
16	95801-08045-08	FLANGE BOLT 8*45 mm	2	
17	95801-Z5C-000-VN	EXH. MUFFLER BOLT 8*35 mm	2	
18	90106-H21-000	FLANGE BOLT 8*32	2	
19	4500A-VW3-000-VN	BRAKE SYSTEM ASSY	1	

●Please check the color & stripe information according to the color index !

●Parts catalog when ordering is for reference only !

FR FORK ASSY - FR. FENDER



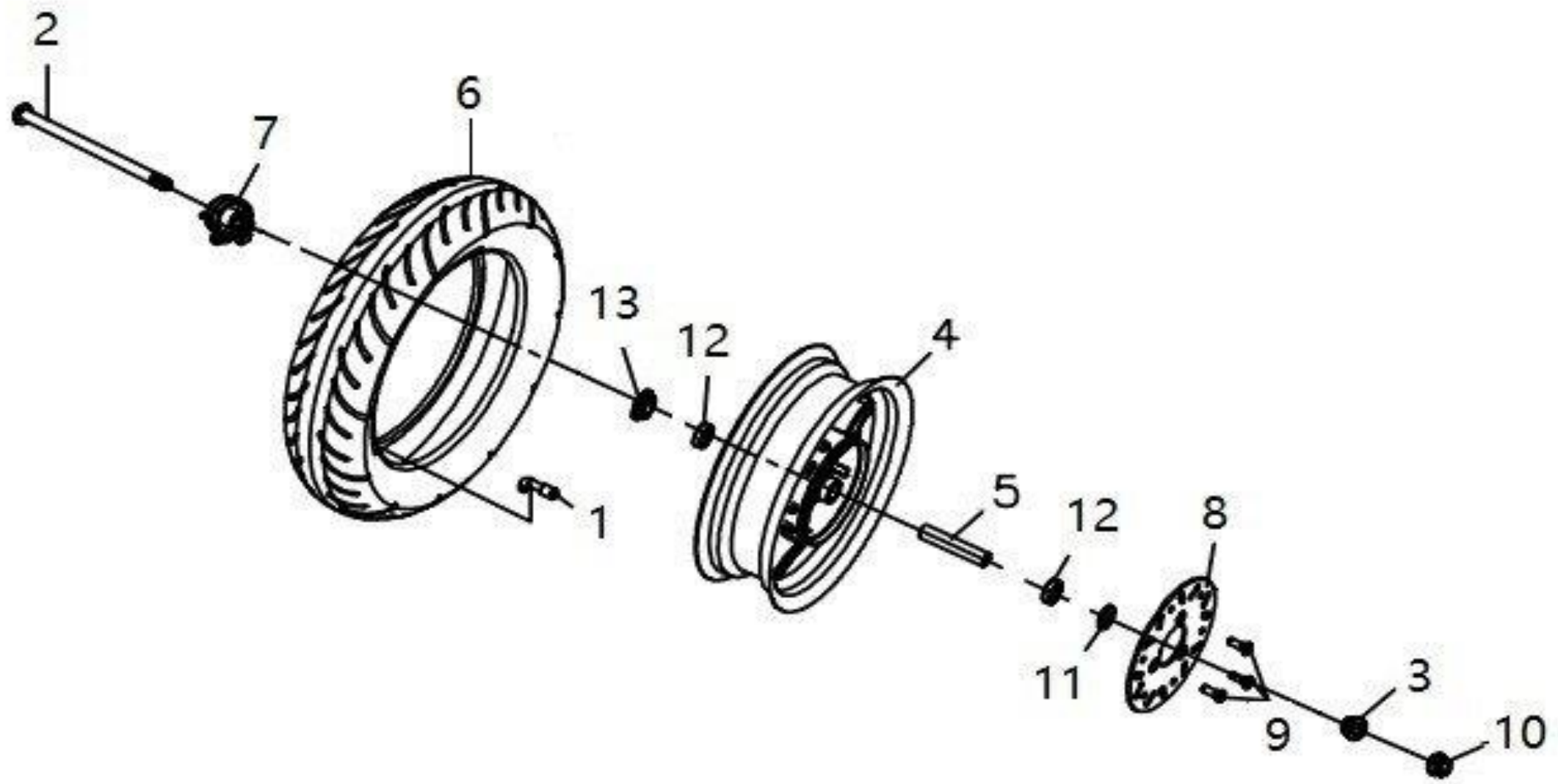
Pictures reference only

NO	PARTS NUMBER	PARTS NAME	QTY	REMARK
1	45156-XJE-000-VN	FR. BRAKE HOSE CLAMP	1	
2	45157-ALA-000-VN	FR. BRAKE HOSE STAY	1	
3	45157-XB1-010-VN	FR. BRAKE HOSE CLAMP B	1	
4	45451-N02-000	WIRE GROMMET	1	
5	51400-VW3-000	R FR. CUSHION ASSY	1	
5.1	90110-VT5-000	DUST SEAL	1	
5.2	91255-VT5-000	OIL SEAL	1	
6	51500-VW3-000	L FR. CUSHION ASSY	1	
6.1	90110-VT5-000	DUST SEAL	1	
6.2	91255-VT5-000	OIL SEAL	1	
7	53200-XVA-000-VN	STEERING STEM COMP.	1	
8	53212-M9Q-000-CN2	CONE RACE (STRG. BOTTOM)	1	
9	53214-M9Q-0000	STRG. DUST SEAL	1	
10	53215-M9Q-0000	STRG. DUST SEAL WASHER	1	
11	61100-VW3-000-GX	FR. FENDER (GY-218)	1	Gray (for Gray/ Black bike)
11	61100-VW3-000-TF	FR. FENDER (R-417)	1	Red (for Red/ Silver bike)
11	61100-VW3-000-WM	FR. FENDER (WH-057P)	1	White (for White/ Silver bike)
12	61104-APA-000	FR. FENDER RUBBER	3	
13	61201-APA-000	FR. FENDER COLLAR	3	
14	77226-M3F-0000	DAMPING RUBBER	2	
15	90110-G22-0001	SPECIAL SCREW 6*14 mm	2	
16	95801-06012-07	FLANGE BOLT 6x12 mm	2	
17	95801-06020-07	FLANGE BOLT 6X20 mm	3	
18	95801-08040-00	FLANGE BOLT 8*40 mm	4	

●Please check the color & stripe information according to the color index !

●Parts catalog when ordering is for reference only !

FR. WHEEL ASSY - FR BRK DISK



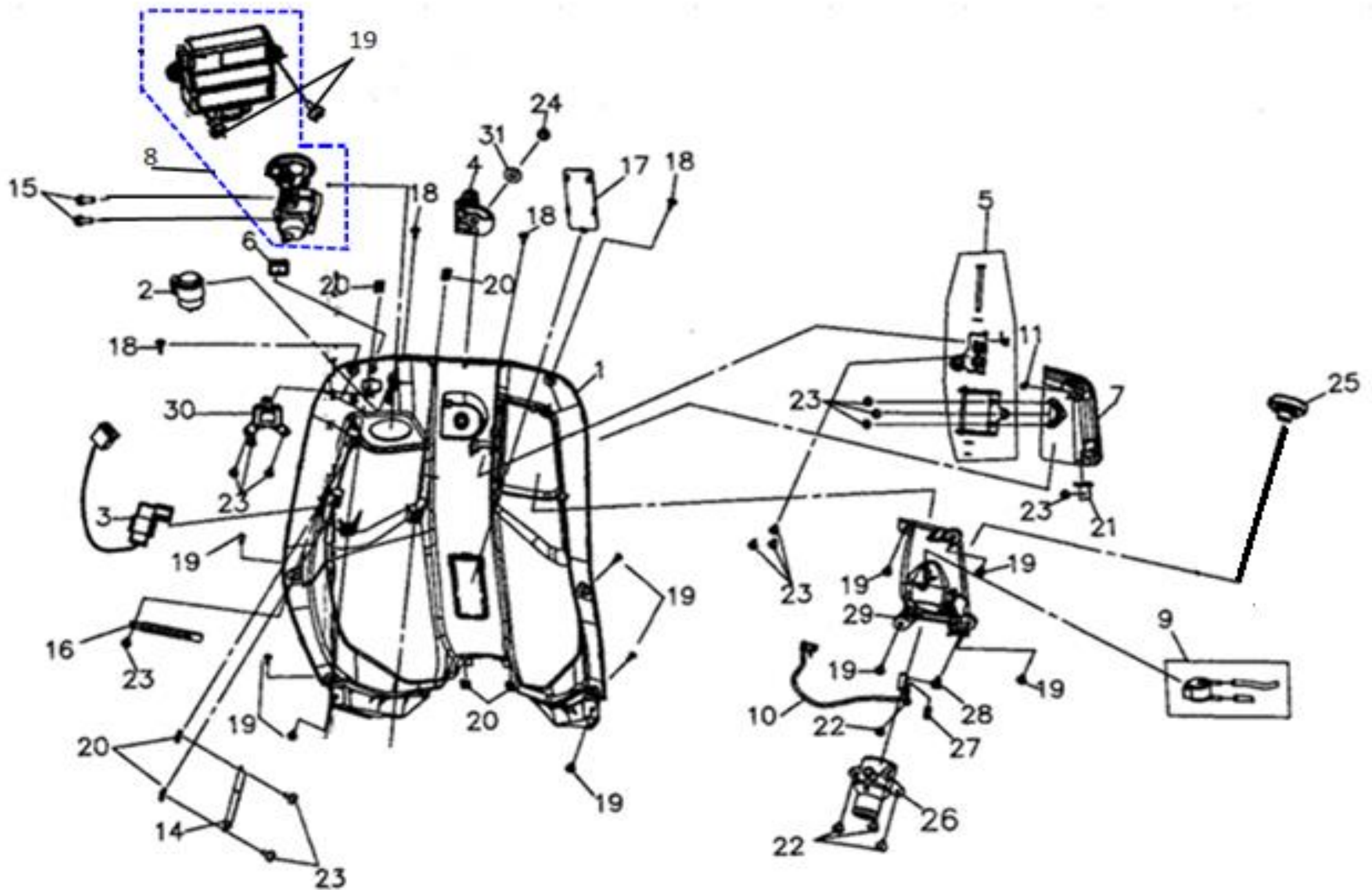
Pictures reference only

NO	PARTS NUMBER	PARTS NAME	QTY	REMARK
1	42753-VVA-0000	RIM VALVE	1	
2	44301-ZHA-000-VN	FR. WHEEL AXLE	1	
3	44311-AAA-000	FR. WHEEL SIDE COLLAR	1	
4	44601-XVA-000-VN	FR. CAST WHEEL	1	
5	44620-AAA-000-VN	FR. AXLE DIST COLLAR	1	
6	44710-VW2-000	FR. TUBELESS TIRE ASSY (110 / 70-12)	1	
7	44800-ALA-000-K-VN	SPDMT. GEAR BOX ASSY	1	
8	45121-XJE-000-VN	FR BRK DISK (Ø226 mm)	1	
9	90106-N02-0002	FR. DISK BOLT	3	
10	90306-SB1-0000	SELF-LOCK NUT 12 mm	1	
11	90754-M9Q-000	DUST SEAL 20*32*5 mm	1	
12	96150-62010-10-VN	RADIAL BALL BRG. 6201 (UU)	2	
13	91258-M9Q-000-L1	SPDMT. GEAR BOX SEAL	1	

•Please check the color & stripe information according to the color index !

•Parts catalog when ordering is for reference only !

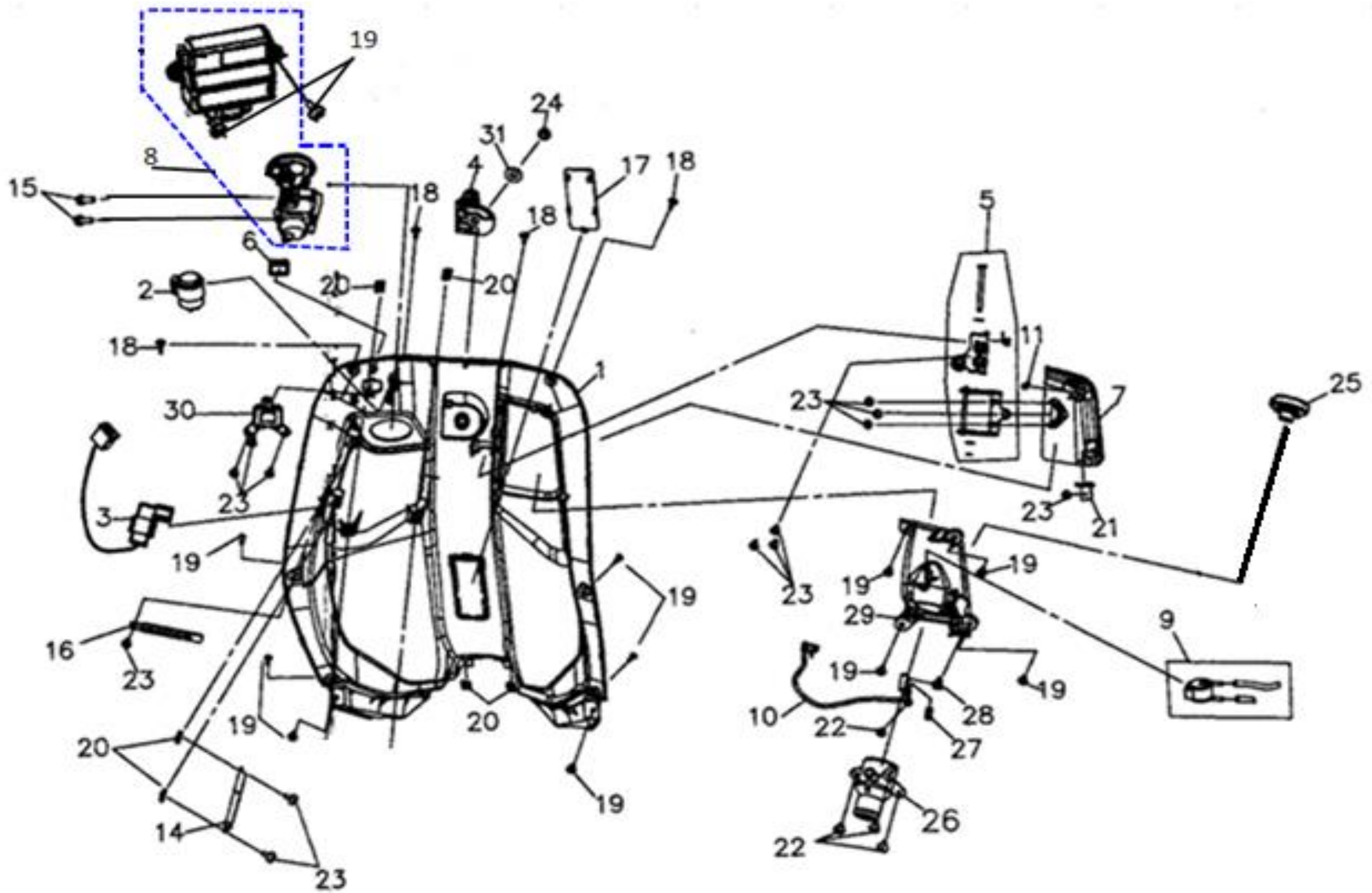
FR. INNER COVER - SMART KEY SET



Pictures reference only

NO	PARTS NUMBER	PARTS NAME	QTY	REMARK
1	81131-VW3-000-GX	FR. INNER COVER (GY-218)	1	Gray (for Gray/ Black bike)
1	81131-VW3-000-TF	FR. INNER COVER (R-417)	1	Red (for Red/ Silver bike)
1	81131-VW3-000-WM	FR. INNER COVER (WH-057P)	1	White (for White/ Silver bike)
2	38300-VW3-000	WINKER RELAY ASSY	1	
3	38650-VW3-100-VN	USB CHARGE ASSY.	1	
4	81132-XFA-000-VN	LUGGAGE HOOK	1	
5	8114A-VW3-000	FUEL CAP HINGE ASSY.	1	
6	81150-VW3-000	USB RUBBER CAP	1	
7	81135-VW3-000-GX	FUEL COVER (GY-218)	1	Gray (for Gray/ Black bike)
7	81135-VW3-000-TF	FUEL COVER (R-417)	1	Red (for Red/ Silver bike)
7	81135-VW3-000-WM	FUEL COVER (WH-057P)	1	White (for White/ Silver bike)
8	35010-XS1-000-VN	SMART KEY SET	1	
9	1758A-VW2-900	FUEL CUT VALVE ASSY	1	
10	77245-VW3-000	FUEL CAP LOCK CABLE	1	
11	64312-XVA-000-VN	FUEL CAP STOPPER RUBBER	1	
14	35600-ZGA-900-VN	PKE COMP.	1	
15	90085-XN1-000-VN	SECURITY BOLT	1	
16	94591-21000	CLIP 2*100 mm	1	
17	64318-VW3-000-GX	FRAME NUMBER LID (GY-218)	1	Gray (for Gray/ Black bike)
17	64318-VW3-000-TF	FRAME NUMBER LID (R-417)	1	Red (for Red/ Silver bike)
17	64318-VW3-000-WM	FRAME NUMBER LID (WH-057P)	1	White (for White/ Silver bike)
18	93903-44480	TAPPING SCREW 4x16 mm	4	
19	93903-44380	TAPPING SCREW 4x12 mm	4	
20	90302-SA4-003B	SPRING NUT 4 mm	6	
21	81136-VW3-000	FR. INNER BOX LID STAY	1	
22	93903-35220	TAPPING SCREW 5x12 mm	4	
23	93903-34320	TAPPING SCREW 4x12 mm	15	

FR. INNER COVER - SMART KEY SET



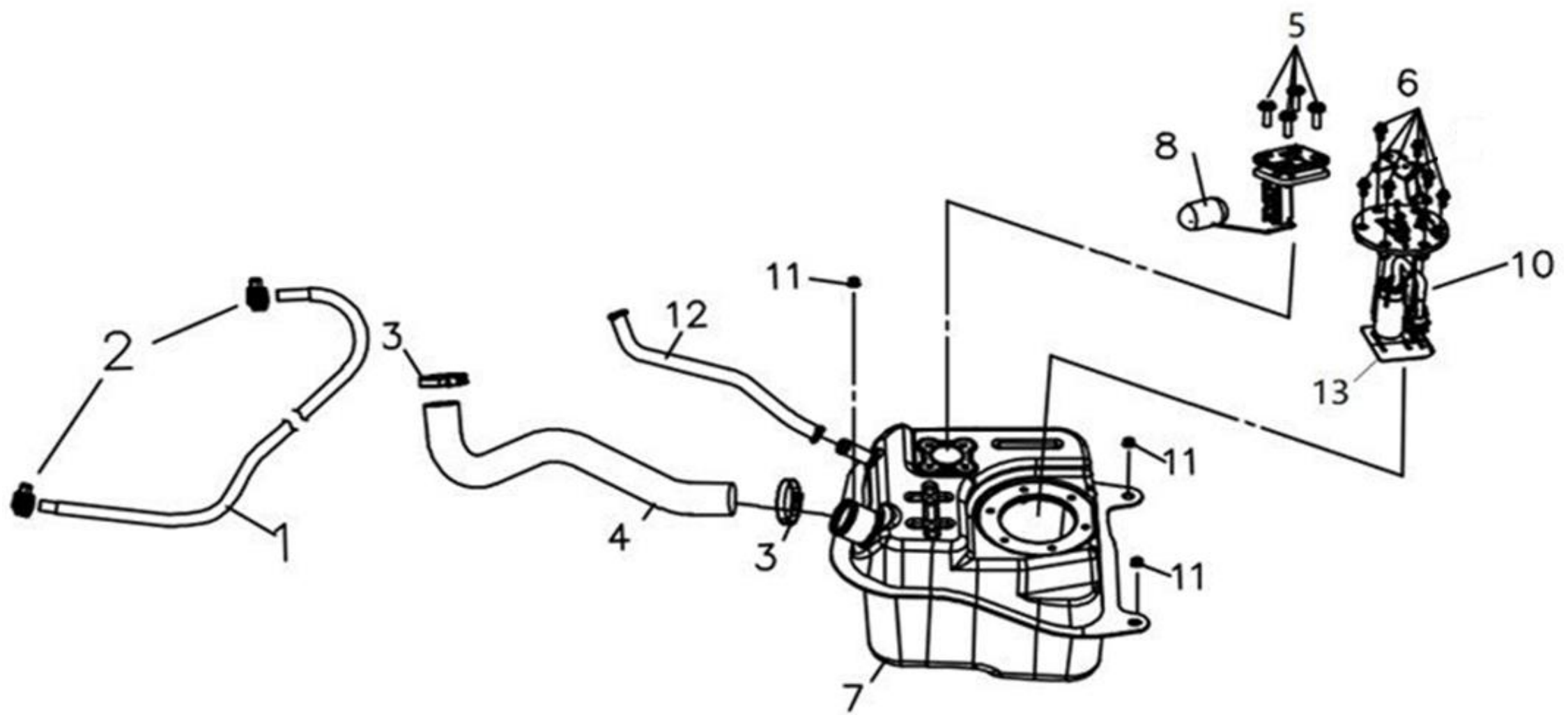
Pictures reference only

NO	PARTS NUMBER	PARTS NAME	QTY	REMARK
24	90110-VVC-900	SPECIAL SCREW 6*16	1	
25	17620-XH1-020	FUEL FILTER CAP COMP	1	
26	17660-XVA-000-VN	FILLER PIPE COMP	1	
27	17667-TAA-900	RETURN SPRING	1	
28	17623-FDA-000-VN	FUEL CAP CATCH SLIDE	1	
29	81141-VW3-000	FUEL COVER TRAY	1	
30	53203-VW3-000	USB CASE	1	
31	94102-10700	PLAIN WASHER 10mm	1	

•Please check the color & stripe information according to the color index !

•Parts catalog when ordering is for reference only !

FUEL TANK ASSY - FUEL PUMP COMP.



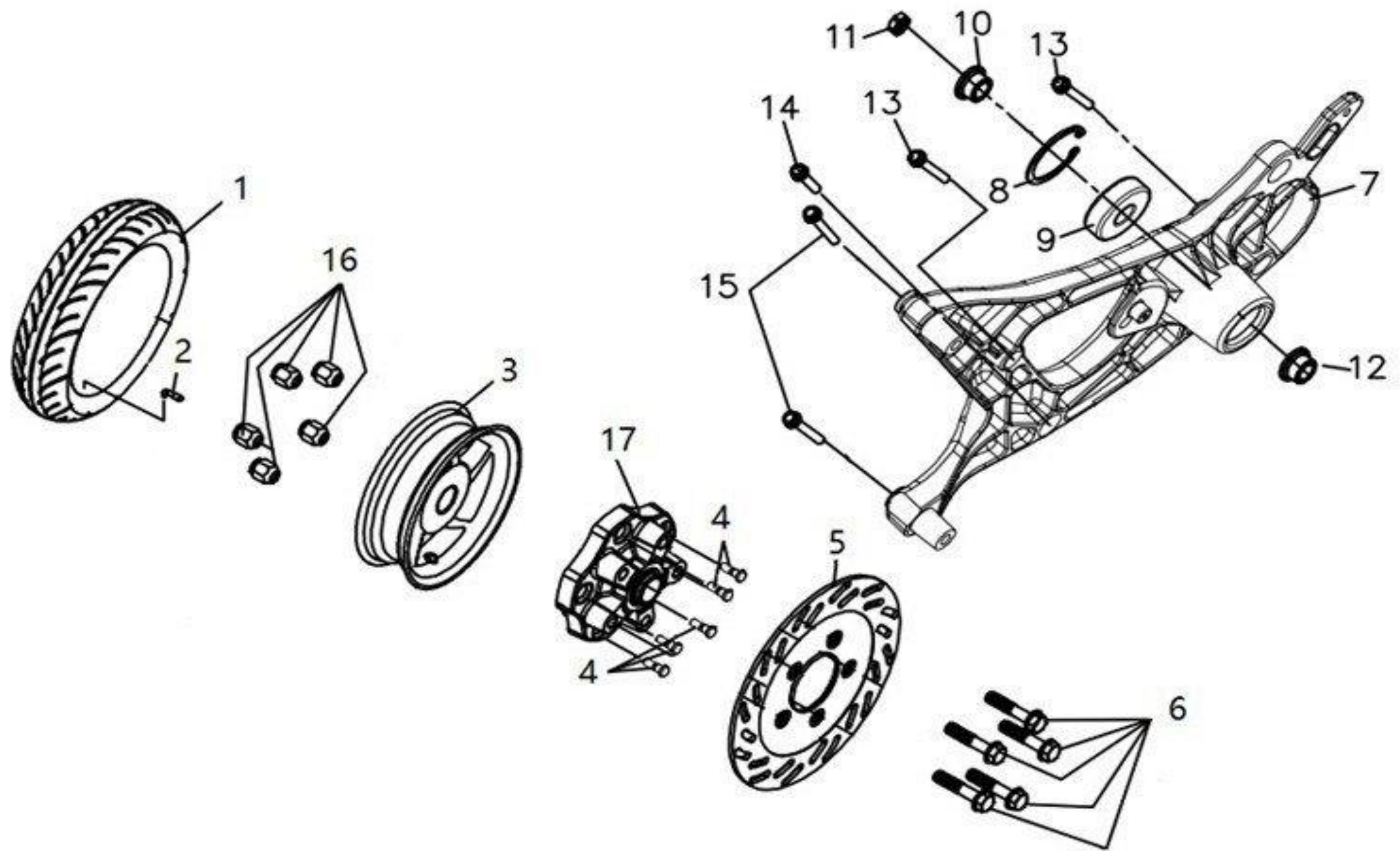
Pictures reference only

NO	PARTS NUMBER	PARTS NAME	QTY	REMARK
1	17682-XVA-000-VN	FUEL TUBE	1	
2	19505-H5D-000-TW	HOSE CLAMP	2	
3	17652-TAA-000	FILLER TUBE CLIP	2	
4	17651-VW3-000	FUEL NECK TUBE	1	
5	9011A-NHA-000-VN	FLANGE SCREW ASSY (M5X16)	4	
6	90116-Z5C-000	FUEL PUMP. BOLT	6	
7	17500-VW3-000-VN	FUEL TANK COMP.	1	
8	37800-XVA-000-VN	FUEL UNIT ASSY	1	
10	16700-XMA-0003-CN2	FUEL PUMP COMP.	1	
11	94050-06080	FLANGE NUT 6 mm	3	
12	17654-XVA-000-VN	BREATHER TUBE B	1	
13	16711-HJA-000-CN2-VN	FUEL FILLTER COMP.	1	

•Please check the color & stripe information according to the color index !

•Parts catalog when ordering is for reference only !

RR. FORK - RR. BRAKE DISK



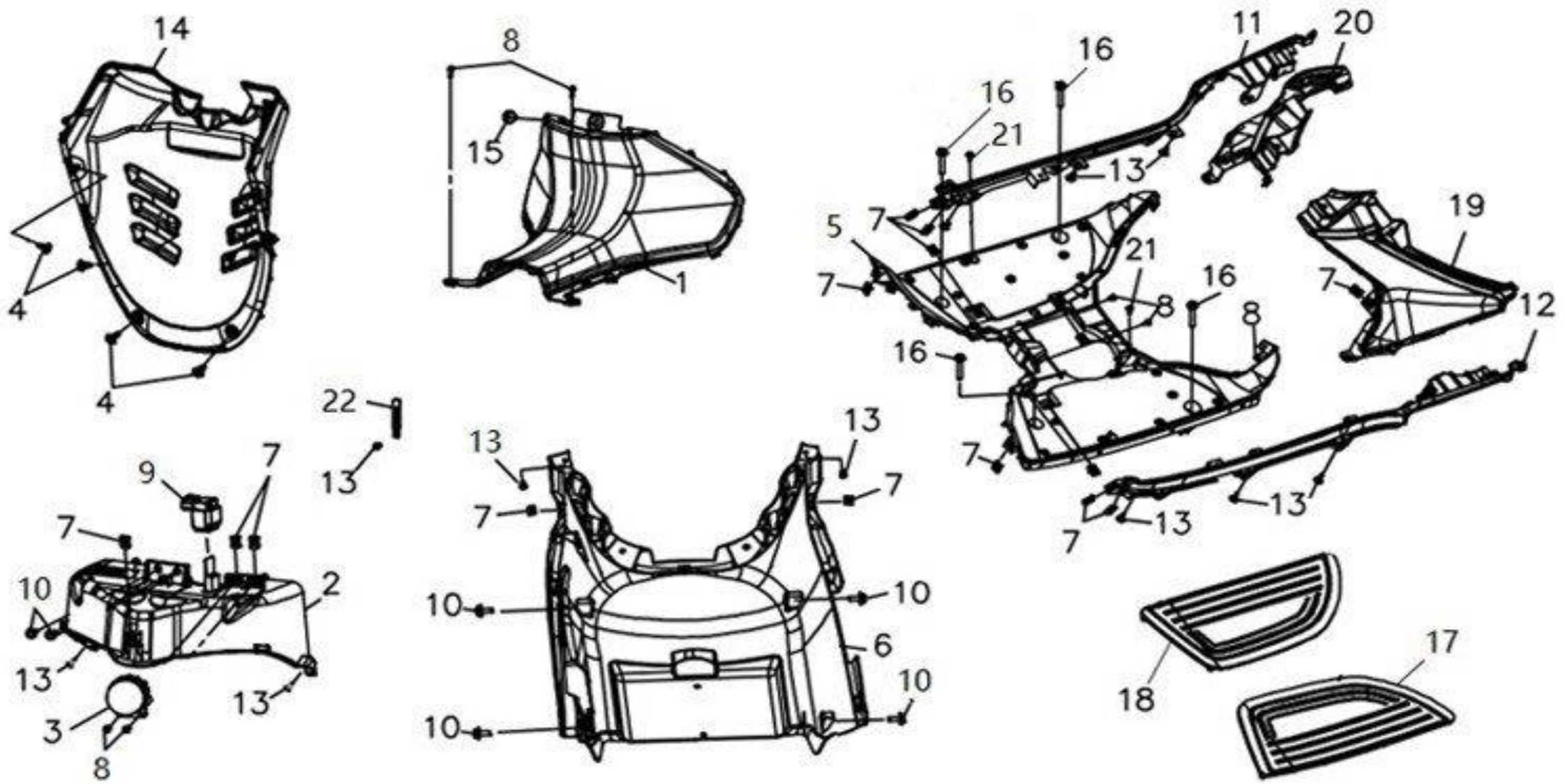
Pictures reference only

NO	PARTS NUMBER	PARTS NAME	QTY	REMARK
1	42710-VW2-000	RR. TUBELESS TIRE ASSY (120 / 70-12)	1	
2	42753-VVA-0000	RIM VALVE	1	
3	42601-XVA-000-VN	RR. WHEEL CAST	1	
4	90103-KBN-900-H1-VN	WHEEL BOLT	5	
5	43121-XJA-000	RR. BRAKE DISK	1	
6	90106-N02-0002	FR. DISK BOLT	5	
7	52100-XVA-000-SE	RR. FORK (S-423)	1	Silver
8	94524-40000	IN CIRCLIP 40 mm	1	
9	96150-62030-10-VN	RADIAL BALL BEARING (6203LLU)	1	
10	42312-AWR-000-VN	REAR AXLE COLLAR (OUTSIDE)	1	
11	90305-M9Q-9001	SELF-LOCK NUT 16 mm	1	
12	42311-AE1-000-VN	REAR AXLE COLLAR (INSIDE)	1	
13	95801-08045-08	FLANGE BOLT 8*45 mm	2	
14	95801-08035-07	FLANGE BOLT 8*35 mm	1	
15	95801-XG1-0000-VN	FLANGE BOLT 8*70 mm	2	
16	90304-XJA-000-VN	WHEEL NUT COMP.	5	
17	42602-XJA-000-KC-VN	RR. WHEEL HUB. (BK-001C)	1	Black

●Please check the color & stripe information according to the color index !

●Parts catalog when ordering is for reference only !

CENTER COVER - FLOOR MAT



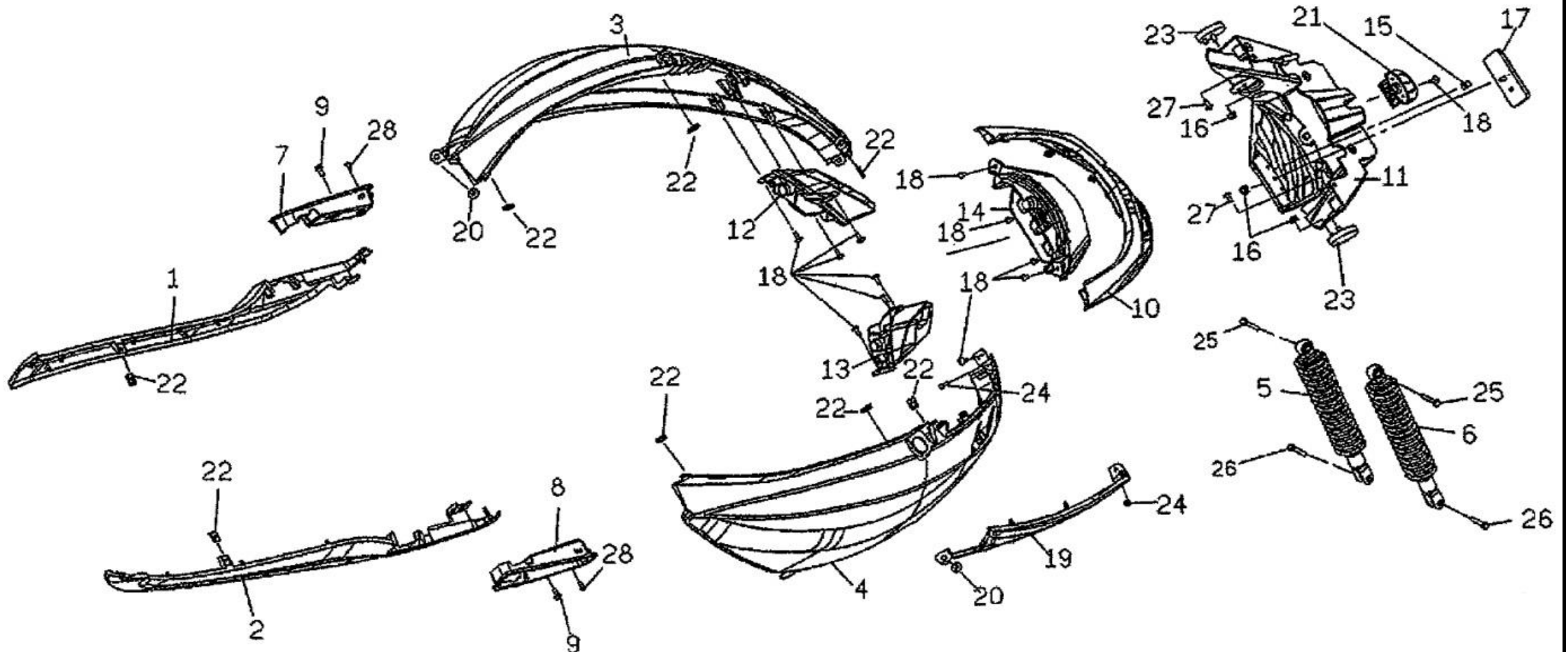
Pictures reference only

NO	PARTS NUMBER	PARTS NAME	QTY	REMARK
1	80151-VW3-000-GX	CENTER COVER (GY-218)	1	Gray (for Gray/ Black bike)
1	80151-VW3-000-TF	CENTER COVER (R-417)	1	Red (for Red/ Silver bike)
1	80151-VW3-000-WM	CENTER COVER (WH-057P)	1	White (for White/ Silver bike)
2	61101-VW3-000	FR. INNER FENDER A	1	
3	35500-X93-000-VN	HORN COMP.	1	
4	90115-REA-000	PLASTIC NUT 6 mm	1	
5	64310-VW3-000	FLOOR PANEL	1	
6	50613-VW3-000	UNDER COVER	1	
7	90302-SA4-003B	SPRING NUT 4 mm	17	
8	93903-34380	TAPPING SCREW 4x12 mm	8	
9	33800-F8S-000	HEAD LIGHT CONTROL UNIT	1	
10	90111-M9Q-8000-L1	FLANGE BOLT 6 mm	6	
11	64315-VW3-000-KW	R. FLOOR PANEL GARNISH (BK-502C)	1	Black (for Gray/ Black bike)
11	64315-VW3-000-SW	R. FLOOR PANEL GARNISH (S-352UL)	1	Silver (for White/ Silver & Red/ Silver bike)
12	64316-VW3-000-KW	L. FLOOR PANEL GARNISH (BK-502C)	1	Black (for Gray/ Black bike)
12	64316-VW3-000-SW	L. FLOOR PANEL GARNISH (S-352UL)	1	Silver (for White/ Silver & Red/ Silver bike)
13	93903-34320	TAPPING SCREW 4x12 mm	8	
14	61102-VW3-000	FR. INNER FENDER B	1	
15	90115-VCA-900	SPECIAL SCREW 6*14 mm	1	
16	96001-VW3-000	WASHER SH. FLANGE BOLT 6*40 mm	4	
17	64321-VW3-000	R. FLOOR MAT	1	
18	64322-VW3-000	L. FLOOR MAT	1	
19	80153-VW3-000-KW	L. CENTER COVER (BK-502S)	1	Black (for Gray/ Black bike)
19	80153-VW3-000-SW	L. CENTER COVER (S-352UL)	1	Silver (for White/ Silver & Red/ Silver bike)
20	80152-VW3-000-KW	R. CENTER COVER (BK-502S)	1	Black (for Gray/ Black bike)
20	80152-VW3-000-SW	R. CENTER COVER (S-352UL)	1	Silver (for White/ Silver & Red/ Silver bike)
21	93903-34380	TAPPING SCREW 4x12 mm	2	

●Please check the color & stripe information according to the color index !

●Parts catalog when ordering is for reference only !

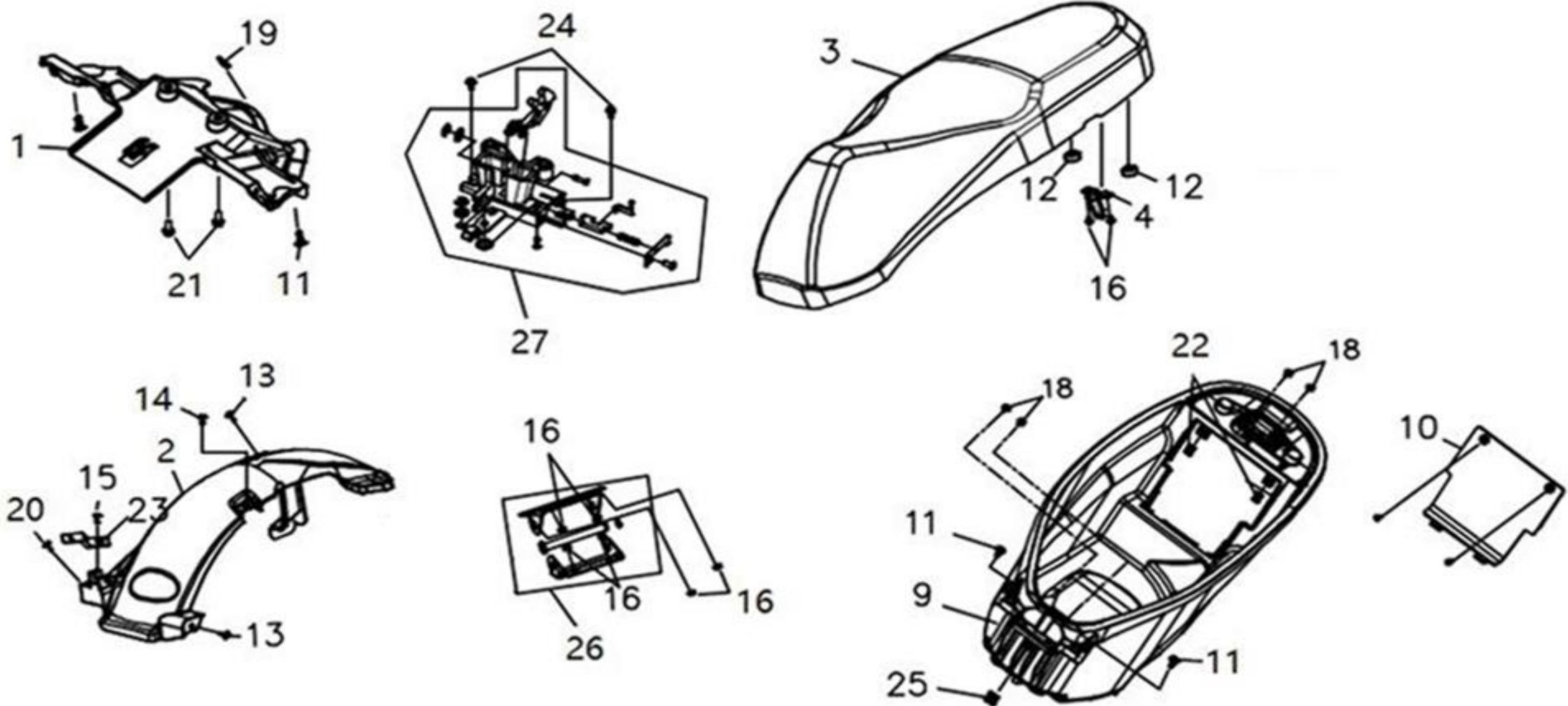
R. BODY COVER - RR. CUSHION ASSY



Pictures reference only

NO	PARTS NUMBER	PARTS NAME	QTY	REMARK
1	83520-VW3-000-GX	RH. SIDE COVER (GY-218)	1	Gray (for Gray/ Black bike)
1	83520-VW3-000-TF	RH. SIDE COVER (R-417)	1	Red (for Red/ Silver bike)
1	83520-VW3-000-WM	RH. SIDE COVER (WH-057P)	1	White (for White/ Silver bike)
2	83620-VW3-000-GX	LH. SIDE COVER (GY-218)	1	Gray (for Gray/ Black bike)
2	83620-VW3-000-TF	LH. SIDE COVER (R-417)	1	Red (for Red/ Silver bike)
2	83620-VW3-000-WM	LH. SIDE COVER (WH-057P)	1	White (for White/ Silver bike)
3	83500-VW3-000-GX	R. BODY COVER (GY-218)	1	Gray (for Gray/ Black bike)
3	83500-VW3-000-TF	R. BODY COVER (R-417)	1	Red (for Red/ Silver bike)
3	83500-VW3-000-WM	R. BODY COVER (WH-057P)	1	White (for White/ Silver bike)
4	83600-VW3-000-GX	L. BODY COVER (GY-218)	1	Gray (for Gray/ Black bike)
4	83600-VW3-000-TF	L. BODY COVER (R-417)	1	Red (for Red/ Silver bike)
4	83600-VW3-000-WM	L. BODY COVER (WH-057P)	1	White (for White/ Silver bike)
5	52400-VW3-000	RR. CUSHION ASSY	1	
6	52400-VW3-000	RR. CUSHION ASSY	1	
7	83850-VW3-000	RH. STEP GARNISH	1	
8	83855-VW3-000	LH. STEP GARNISH	1	
9	90118-HAA-0000	WASHER BOLT 5*14 mm	1	
10	83750-VW3-000-GX	RR CENTER COVER (GY-218)	1	Gray (for Gray/ Black bike)
10	83750-VW3-000-TF	RR CENTER COVER (R-417)	1	Red (for Red/ Silver bike)
10	83750-VW3-000-WM	RR CENTER COVER (WH-057P)	1	White (for White/ Silver bike)
11	80100-VW3-000	RR. FENDER	1	
12	33600-VW3-000-VN	RR.R. WINKER LIGHT	1	
13	33650-VW3-000-VN	RR. L. WINKER LIGHT	1	
14	33700-VW3-000-VN	TAIL LIGHT ASSY.	1	
15	90899-422-6100	PLUG CORN	1	
16	94050-06080	FLANGE NUT 6 mm	3	
17	33741-U1C-0000-VN	RR. REFLEX REFLECTOR	1	
18	93903-34320	TAPPING SCREW 4x12 mm	12	
19	83601-VW3-000-GX	L. BODY COVER GARNISH (GY-218)	1	Gray (for Gray/ Black bike)
19	83601-VW3-000-TF	L. BODY COVER GARNISH (R-417)	1	Red (for Red/ Silver bike)
19	83601-VW3-000-WM	L. BODY COVER GARNISH (WH-057P)	1	White (for White/ Silver bike)
20	90115-REA-000	PLASTIC NUT 6 mm	2	
21	33740-Z6A-000	LICENSE LIGHT ASSY.	1	
22	90302-SA4-003B	SPRING NUT 4 mm	7	
23	33742-XPA-0001-VN	SIDE REFLECTOR	2	
24	93903-34380	TAPPING SCREW 4x12 mm	2	
25	95801-10035-07	FLANGE BOLT 10*35 mm	2	
26	95801-08032-07	FLANGE BOLT 8*32 mm	2	
27	93903-35220	TAPPING SCREW 5x12 mm	2	
28	93903-34380	TAPPING SCREW 4x12 mm	2	

DOUBLE SEAT COMP- LUGGAGE BOX



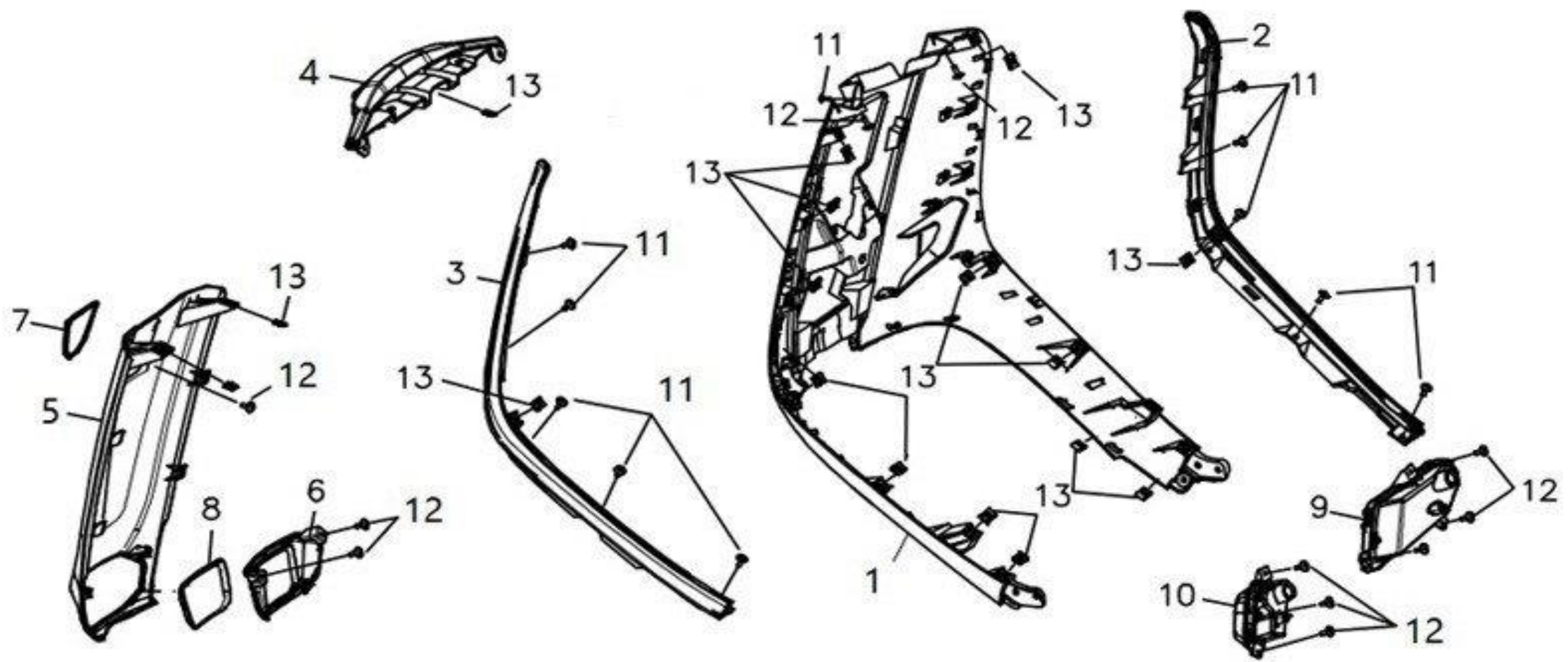
Pictures reference only

NO	PARTS NUMBER	PARTS NAME	QTY	REMARK
1	80101-VW3-000	RR. INNER FENDER	1	
2	80105-VW3-000	RR. MUDGUARD	1	
3	77200-VW3-000-T1	DOUBLE SEAT COMP. - BLUE	1	(for White/ Silver & Red/ Silver bike)
3	77200-VW3-000-T2	DOUBLE SEAT COMP. - BLACK	1	(for Gray/ Black bike)
4	77101-VW3-000	SEAT LOCK STAY	1	
9	81250-VW3-000	LUGGAGE BOX	1	
10	50326-F6B-000-VN	BATTERY COVER	1	
11	90115-REA-000	PLASTIC NUT 6 mm	2	
12	77206-B9A-000	RR. SEAT RUBBER A	2	
13	93404-06012-07	WASHER BOLT 6*12 mm	2	
14	93903-35220	TAPPING SCREW 5x12 mm	1	
15	93903-35220	TAPPING SCREW 5x12 mm	1	
16	94050-06080	FLANGE NUT 6 mm	8	
18	90111-M9Q-8000-L1	FLANGE BOLT 6 mm	4	
19	90302-SA4-003B	SPRING NUT 4 mm	1	
20	90118-HAA-0000	WASHER BOLT 5*14 mm	1	
21	93404-06016-07	WASHER BOLT 6*16 mm	2	
22	90302-SA4-003B	SPRING NUT 4 mm	2	
23	17832-XFA-000-VN	O2 SENSOR COUPLER STAY	1	
24	96001-06016-07	SH. FLANGE BOLT 6*16 mm	2	
25	90305-M9Q-000	CLIP NUT 6 mm	1	
26	77110-XB1-000-VN	SEAT HINGE COMP.	1	
27	77230-EAA-0000-VN	SEAT CATCH COMP	1	

●Please check the color & stripe information according to the color index !

●Parts catalog when ordering is for reference only !

FR. COVER - FR. R. L. WINKER LIGHT



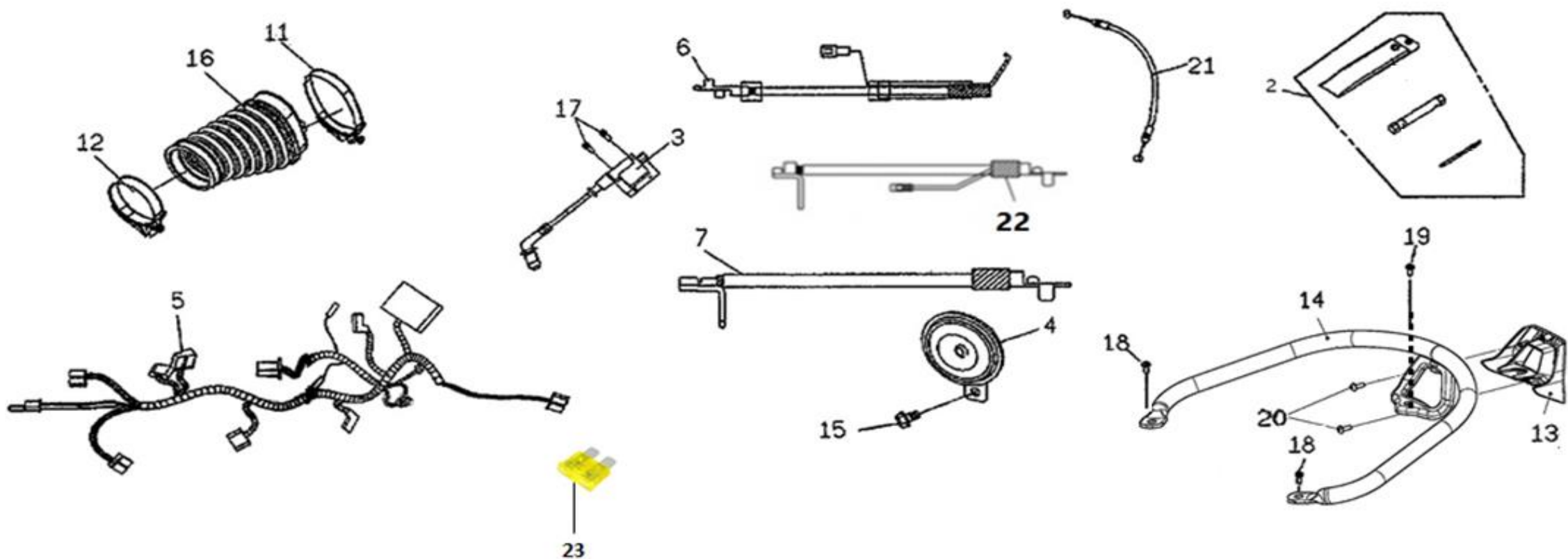
Pictures reference only

NO	PARTS NUMBER	PARTS NAME	QTY	REMARK
1	64301-VW3-000-GX	FR. COVER (GY-218)	1	Gray (for Gray/ Black bike)
1	64301-VW3-000-TF	FR. COVER (R-417)	1	Red (for Red/ Silver bike)
1	64301-VW3-000-WM	FR. COVER (WH-057P)	1	White (for White/ Silver bike)
2	64305-VW3-000-KW	R. FR. COVER GARNISH (BK-502C)	1	Black (for Gray/ Black bike)
2	64305-VW3-000-SW	R. FR. COVER GARNISH (S-352UL)	1	Silver (for White/ Silver & Red/ Silver bike)
3	64306-VW3-000-KW	L. FR. COVER GARNISH (BK-502C)	1	Black (for Gray/ Black bike)
3	64306-VW3-000-SW	L. FR. COVER GARNISH (S-352UL)	1	Silver (for White/ Silver & Red/ Silver bike)
4	64304-VW3-000-KW	FR. TOP COVER GARNISH (BK-502C)	1	Black (for Gray/ Black bike)
4	64304-VW3-000-SW	FR. TOP COVER GARNISH (S-352UL)	1	Silver (for White/ Silver & Red/ Silver bike)
5	64302-VW3-000-GX	FR. TOP COVER (GY-218)	1	Gray (for Gray/ Black bike)
5	64302-VW3-000-TF	FR. TOP COVER (R-417)	1	Red (for Red/ Silver bike)
5	64302-VW3-000-WM	FR. TOP COVER (WH-057P)	1	White (for White/ Silver bike)
6	64303-VW3-000	FR. COVER GARNISH	1	
7	87120-VW3-000-L1	FR. COVER EMBLEM A	1	
8	87121-VW5-000	FR. COVER EMBLEM B	1	
9	33400-VW3-000-VN	FR. R. WINKER LIGHT	1	
10	33450-VW3-000-VN	FR. L. WINKER LIGHT	1	
11	93903-34380	TAPPING SCREW 4x12 mm	11	
12	93903-34320	TAPPING SCREW 4x12 mm	11	
13	90302-SA4-003B	SPRING NUT 4 mm	19	

●Please check the color & stripe information according to the color index !

●Parts catalog when ordering is for reference only !

WIRE HARNESS - RR. CARRIER



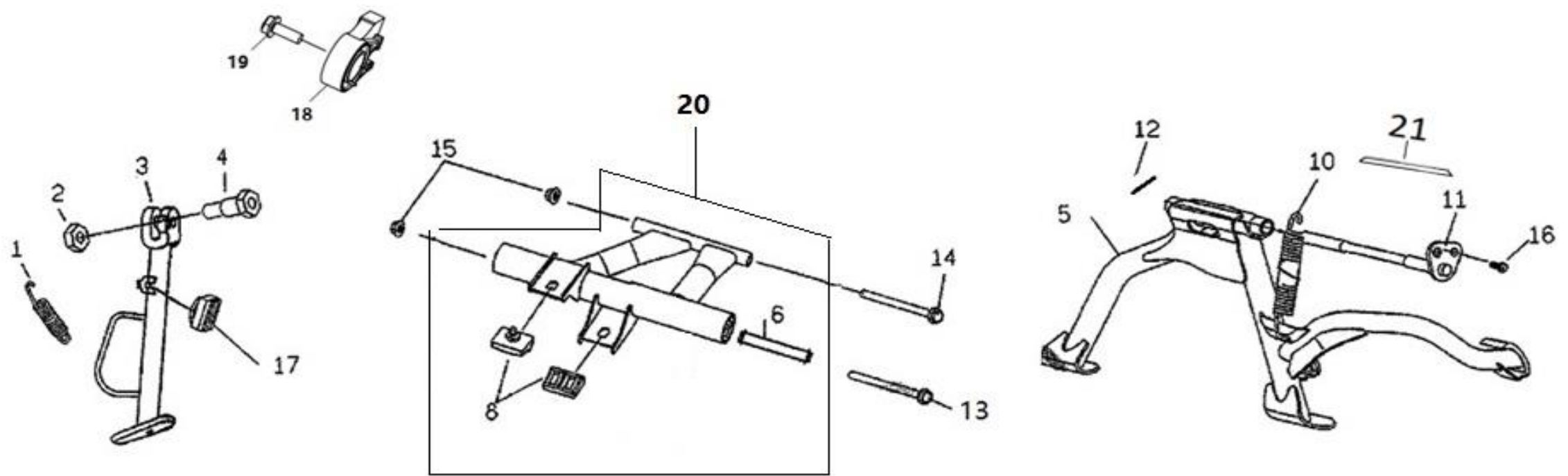
Pictures reference only

NO	PARTS NUMBER	PARTS NAME	QTY	REMARK
2	89010-V1F-0000-VN	TOOL SET	1	provided while stock last
3	3051A-VW3-000	IGN. COIL ASSY.	1	
4	38100-XGA-0001-VN	HORN COMP.	1	
5	32100-VW3-000-VN	WIRE HARNESS	1	
6	32411-XVA-000-VN	BATTERY CABLE	1	
7	32415-F6T-000	EARTH CABLE B	1	
11	11346-M9Q-000	L. COVER DUCT BAND	1	
12	17255-RFS-000	A/C. CONNECTING TUBE BAND	1	
13	81201-VW3-010	RR. CARRIER GARNISH (CHROMIUM)	1	(for White/ Silver & Red/ Silver bike)
13	81201-VW3-910-KW	RR. CARRIER GARNISH (BK-502C)	1	(for Gray/ Black bike)
14	81200-VW3-010	RR. CARRIER (CHROMIUM)	1	(for White/ Silver & Red/ Silver bike)
14	81200-VW3-910	RR. CARRIER (BK-502C)	1	(for Gray/ Black bike)
15	95801-08012-08	FLANGE BOLT 8x12 mm	1	
16	11345-VW3-000	L COVER DUCT	1	
17	90112-H5B-0002-VN	COIL SCREW 4 mm	2	
18	90105-APA-000	SPECIAL BOLT 8X45 mm	2	
19	90186-VA6-0001	SOCKET BOLT 8*25 mm	1	
20	93903-34220	TAPPING SCREW 4x10 mm	2	
21	77240-ZFB-000-VN	SEAT LOCK CABLE	1	
22	32412-XB1-000-VN	EARTH CABLE	1	
23	98200-31000	BLADE FUSE 10A	1	
23	98200-31500	BLADE FUSE 15A	1	
23	98200-32000	BLADE FUSE 20A	1	

●Please check the color & stripe information according to the color index !

●Parts catalog when ordering is for reference only !

ENG. HANGER LINK - MAIN STAND COMP



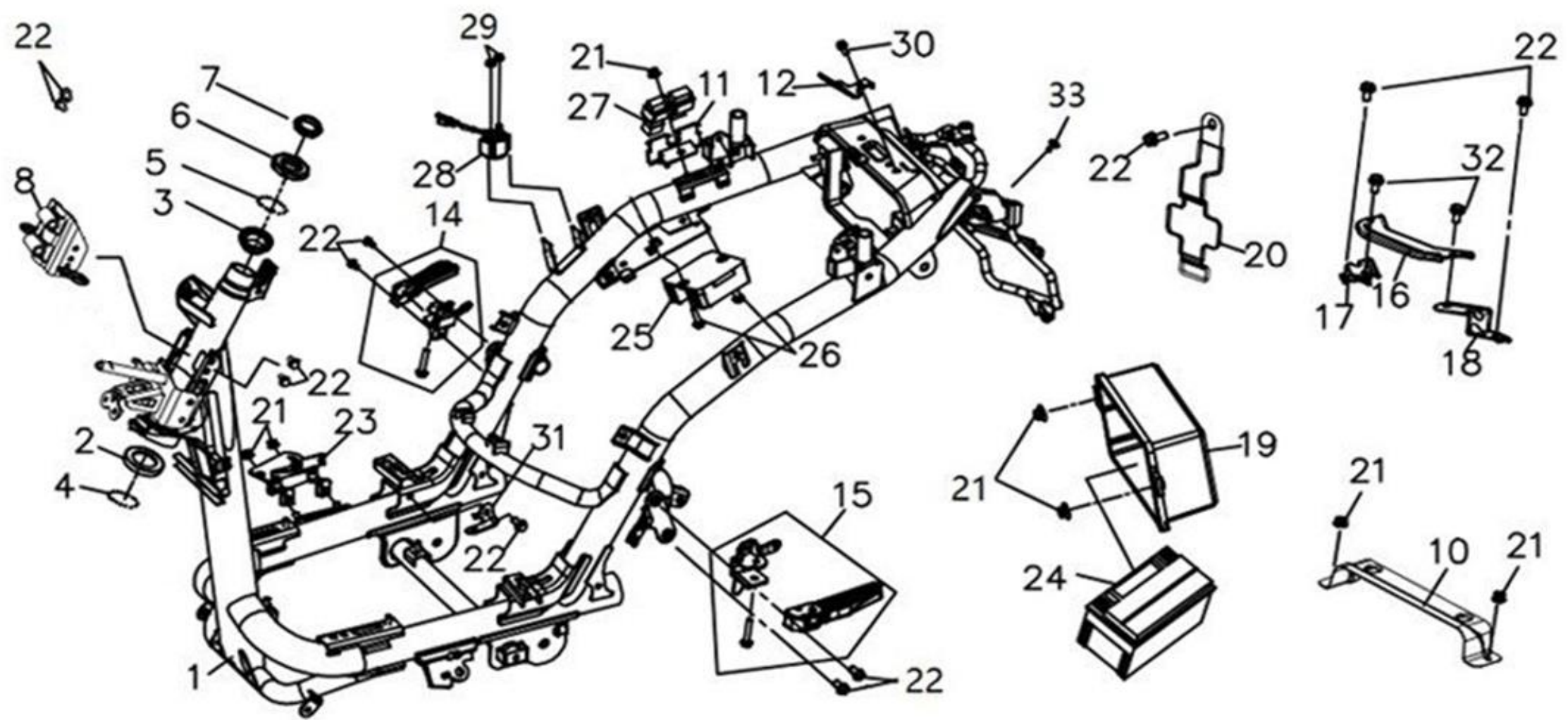
Pictures reference only

NO	PARTS NUMBER	PARTS NAME	QTY	REMARK
1	50535-Z7C-000	SIDE STAND SPRING ASSY	1	
2	94001-08000-0S	HEX NUT 8mm	1	
3	50530-VW3-000	SIDE STAND COMP.	1	
4	90108-Z7C-010	SIDE STAND BOLT	1	
5	50500-VW3-000	MAIN STAND COMP	1	
6	50354-XB1-000	ENG. HANGER COLLAR	1	
8	50352-ZEA-000	LINK STOPPER. RUBBER	3	
10	5052A-APA-900	MAIN STAND SPG. ASSY	1	
11	50512-XB1-000-VN	FLANGE BOLT	1	
12	94201-20151	SPLIT PIN 2.0*15 mm	1	
13	90106-XB1-900-VN	FLANGE BOLT 10*293 mm	1	
14	90105-F6B-9000	FLANGE BOLT 10*191 mm	1	
15	90304-M9Q-000	FLANGE. U NUT 10 mm	2	
16	95801-06012-07	FLANGE BOLT 6*12 mm	1	
17	50506-ABA-000	STAND STOP RUBBER	1	
18	35270-Z7C-000	SIDE STAND SW.ASSY	1	
19	93404-06016-07	WASHER BOLT 6*16 mm	1	
20	50350-VW3-000	ENG. HANGER LINK ASSY	1	
21	50502-VW3-000	MAIN STAND COLLAR	1	

●Please check the color & stripe information according to the color index !

●Parts catalog when ordering is for reference only !

FRAME BODY COMP - REG. REC. ASSY



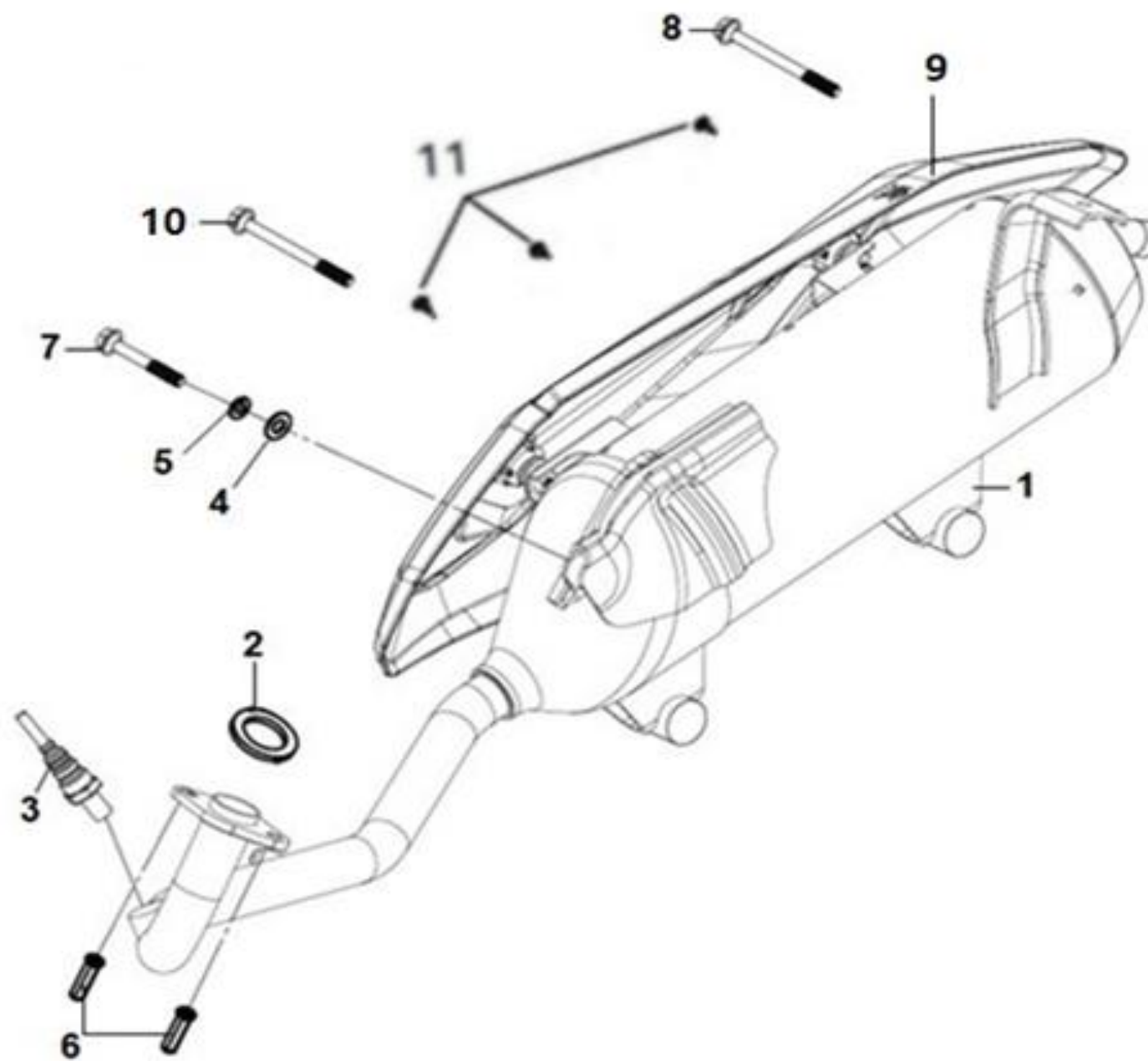
Pictures reference only

NO	PARTS NUMBER	PARTS NAME	QTY	REMARK
1	50100-VW3-000	FRAME BODY COMP.	1	
2	50302-M9Q-0000	BALL RACE (STRG. BOT.)	1	
3	50301-M9Q-000	STRG. UP RACE BALL	1	
4	50304-AAA-000	LOWER STEEL BALLS AND RETAINER ASS'Y (6.35*14)	1	
5	50303-AAA-000	UP STEEL BALLS AND RETAINER ASS'Y (3.969*18)	1	
6	53211-M9Q-000-CN2	STRG. TOP CONE RACE	1	
7	50306-M9Q-0000	STEERING STEM LOCK NUT	1	
8	50190-VW3-000	ABS UNIT FIXED STAY	1	
10	50142-VW3-000	FLOOR PANEL PLATE A	1	
11	50358-XB1-000-VN	ELEC. RELAY STAY	1	
12	50360-XB1-000-VN	DIAGNOSTIC STAY	1	
14	5071A-VW3-000-VN	RH. PILLION STEP ASSY	1	
15	5071B-VW3-000-VN	LH. PILLION STEP ASSY	1	
16	50140-XB1-000-VN	FLOOR PANEL PLATE A	1	
17	50131-XB1-000-VN	L. FLOOR PANEL PLATE	1	
18	50141-XB1-000-VN	R. FLOOR PANEL PLATE	1	
19	50321-HAA-010	BATTERY CASE COMP.	1	
20	50324-XVA-000-VN	BATTERY BAND	1	
21	94050-06080	FLANGE NUT 6 mm	7	
22	95801-06012-07	FLANGE BOLT 6*12 mm	16	
23	50356-VW3-000	IGN. COIL STAY	1	
24	AC-YTX7A-BS(HW)	BATTERY ASS'Y (YTX7A 12V7AH)	1	
25	31600-MA1-000	REG. REC. ASSY	1	
26	95801-06020-00	FLANGE BOLT 6*20 mm	2	
27	3850A-HLA-010-A2-L1	ELEC. RELAY ASSY.	1	
28	3585A-35A-A00	MAG. SW. ASSY.	1	
29	35859-M9Q-000	START MAG .SW. NUT	1	
30	96001-06016-07	SH. FLANGE BOLT 6*16 mm	1	
31	50357-ZEA-000-VN	IGN. COIL STAY B	1	
32	95801-06010-04-VN	FLANGE BOLT 6*10 mm	2	
33	93903-34380	TAPPING SCREW 4x12 mm	1	

•Please check the color & stripe information according to the color index !

•Parts catalog when ordering is for reference only !

EXH. MUFFLER ASSY - O2 SENSOR ASSY.



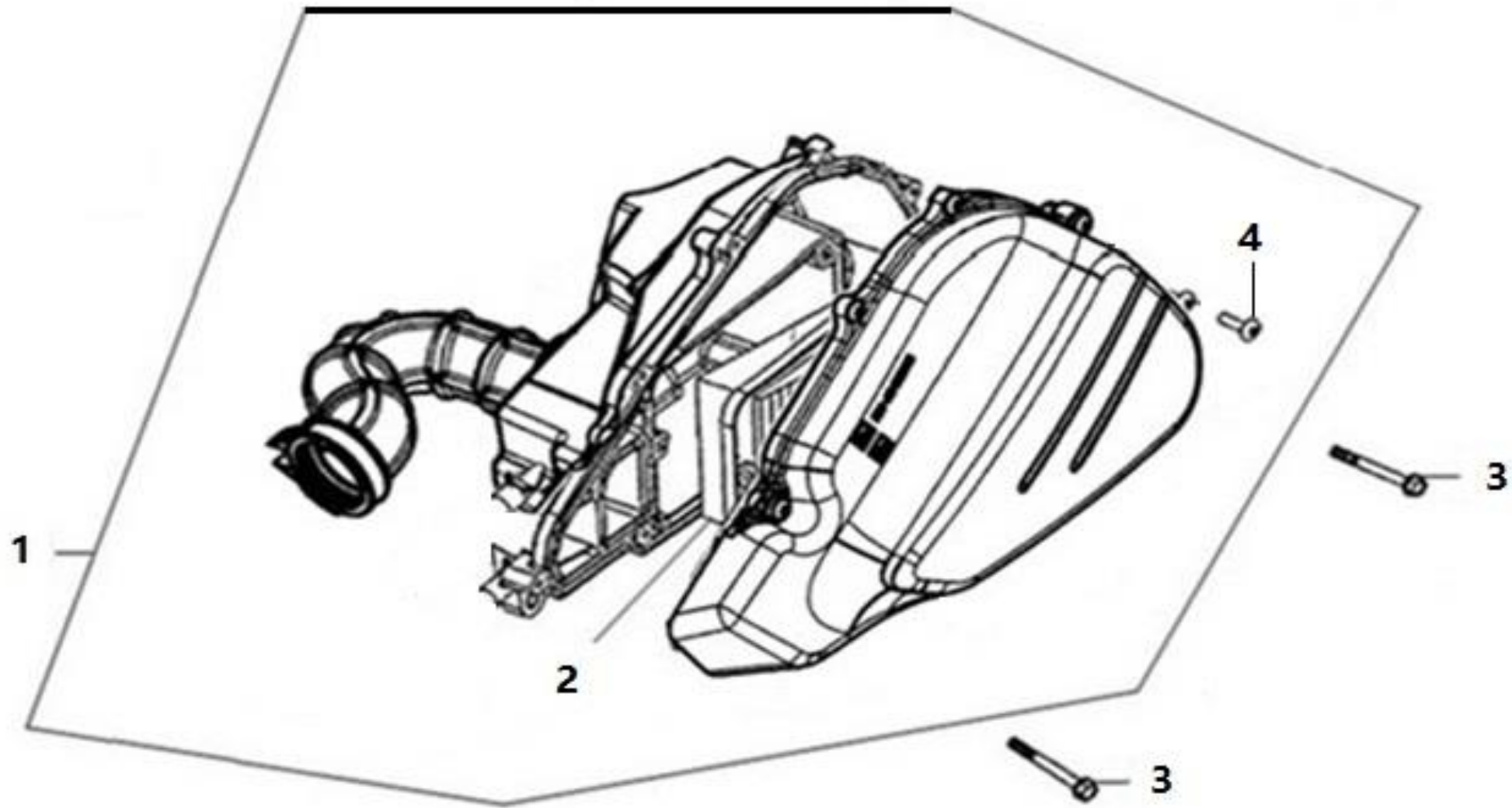
Pictures reference only

NO	PARTS NUMBER	PARTS NAME	QTY	REMARK
1	18300-VW3-000	EXH. MUFFLER COMP.	1	
2	18291-Z8G-000	EXH. PIPE GASKET	1	
3	3789A-XJE-000	O2 SENSOR ASSY.	1	
4	94111-08000	SPRING WASHER 8 mm	1	
5	94101-08700	PLAIN WASHER 8 mm	1	
6	90043-XB1-000	CAP NUT 8 mm	2	
7	95801-X81-000	EXH. MUFFLER BOLT 08*40 mm	1	
8	95801-Z5D-0000-VN	EXH. MUFFLER BOLT 08*65 mm	1	
9	18318-VW3-000-KUS	MUFF. PROTECTOR (BK-001U/S-352UL)	1	(for White/ Silver & Red/ Silver bike)
9	18318-VW3-000-KUK	MUFF. PROTECTOR(BK-001U/BK-502C)	1	(for Gray/ Black bike)
10	95801-XB1-000-VN	EXH. MUFFLER BOLT 8*60 mm	1	
11	93401-06022-07	WASHER BOLT 6*22	3	

●Please check the color & stripe information according to the color index !

●Parts catalog when ordering is for reference only !

AIR / C ASSY - AIR/C. ELEMENT COMP.



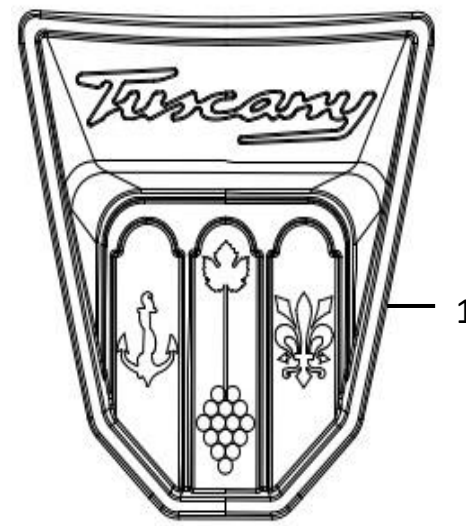
Pictures reference only

NO	PARTS NUMBER	PARTS NAME	QTY	REMARK
1	17200-VW3-000-VN	AIR/C ASSY.	1	
2	17211-ADB-000	AIR/C. ELEMENT COMP.	1	
3	93404-06030-07	WASHER BOLT 6*30 mm	2	
4	93903-25480	TAPPING SCREW 5*20 mm	8	

•Please check the color & stripe information according to the color index !

•Parts catalog when ordering is for reference only !

STRIPE ASSY - BODY COVER EMBLEM



Pictures reference only

NO	PARTS NUMBER	PARTS NAME	QTY	REMARK
1	87120-VW3-000-L1	FR. COVER EMBLEM A	1	
2	87121-VW5-000	FR. COVER EMBLEM B	1	
3	87122-VW3-000-L1	FR. COVER EMBLEM (TUSCANY)	1	
4	87126-VW3-000-L1	BODY COVER EMBLEM (TUSCANY)	2	

•Please check the color & stripe information according to the color index !

•Parts catalog when ordering is for reference only !